

LANG

Y A R N S

Quality since 1867

PTO-027_10
LANGYARNS
LINELLO

© by LANG & Co. AG, CH-6260 Reiden



LANG

Y A R N S

Quality since 1867



LANG

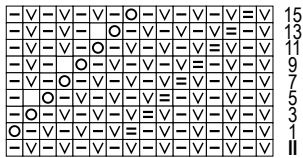
YARN S

Quality since 1867

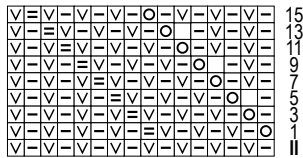


all sizes are metric (cm)

IIIa



III



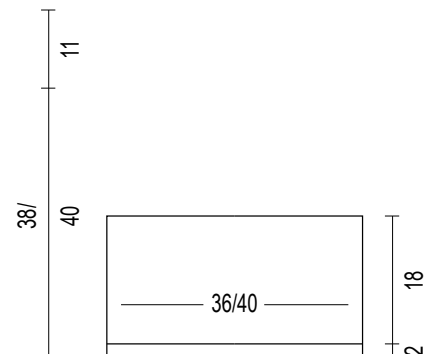
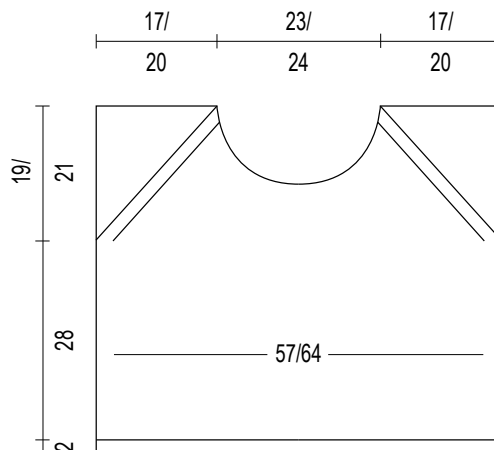
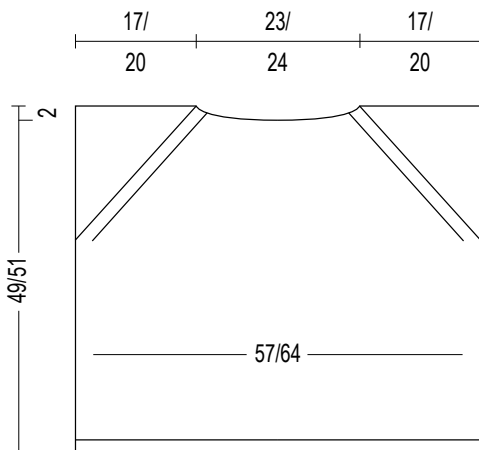
- = 1 M re
- ▣ = 1 M li
- ▤ = 2 M li zus-str
- ⊙ = 1 U
- ⊞ = 1 Patent-M (1 M re, dabei 1 R tiefer einstechen)

- = 1 m à l'end
- ▣ = 1 m à l'env
- ▤ = 2 m à l'env ens
- ⊙ = 1 jeté
- ⊞ = 1 m de côte anglaise
(1 m à l'end en piquant 1 rg plus bas)

- = 1 r
- ▣ = 1 av
- ▤ = 2 st av samen br
- ⊙ = 1 omslag
- ⊞ = 1 patentst (1 r, 1 rij dieper insteken)

- = k1
- ▣ = p1
- ▤ = p2tog
- ⊙ = yo
- ⊞ = 1 brioche rib st (k1 below)

- = 1 r
- ▣ = 1 vr
- ▤ = 2 vr sm
- ⊙ = 1 omslag
- ⊞ = 1 patent-m (1 r, idet man stikker 1 p dybere)





Quality since 1867

10 Sweater

Size S – M / L - XL

Garment measurements:

Bust 45/50½" (114/128 cm). Length 19¼/20" (49/51 cm)

Materials: LANGYARNS LINELLO (linen, cotton, viscose) 400/500 g = 4/5 balls of bright 1066.0054. ADDI knitting needles, size US 2.5 (3mm). 1 short circular needle, size US 2.5 (3mm).

PATTERN STITCHES

Rib St:

US 2.5 (3mm) needles:

Row 1 (RS): *K1, p1; rep from * to last st, k1.

Row 2 (WS): *P1, k1; rep from * to last st, p1.

Rep rows 1 & 2 for Rib St.

Half Brioche Rib:

US 2.5 (3mm) needles:

Row 1 (RS): Sl 1 p-wise wyif (edge st), *p1, k1 below; rep from * to last 2 sts, p1, k1 (edge st).

Row 2 (WS): Sl 1 p-wise wyif (edge st), *k1, p1; rep from * to last 2 sts, k1, k1 (edge st).

Rep rows 1 & 2 for Half Brioche Rib.

Chart III:

US 2.5 (3mm) needles: Fully fashioned decrease and increase (left edge): according to chart III. The chart shows RS rows. On WS rows, work the sts as they appear in rib st, knit or purl the yarn overs, keeping to rib pattern.

Work rows 1 – 16 once, then continue working the diagonal until neck shaping.

Chart IIIa:

US 2.5 (3mm) needles: Fully fashioned decrease and increase (right edge): according to chart IIIa. The chart shows RS rows. On WS rows, work the sts as they appear in rib st, knit or purl the yarn overs, keeping to rib pattern.

Work rows 1 – 16 once, then continue working the diagonal until neck shaping.

Gauge: Rib St size US 2.5 (3mm) needles:

22 sts = 4" (10 cm). 36 rows = 4" (10 cm)

BACK

Cast on 127/143 sts.

Row 1 (RS): *K1, p1; rep from * to last st, k1.

Row 2 (WS): *P1, k1; rep from * to last st, p1.

Rep rows 1 & 2 until piece measures ¾" (2 cm).

Begin working Half Brioche Rib stitch.

Row 1 (RS): Sl 1 p-wise wyif (edge st), *p1, k1 below; rep from * to last 2 sts, p1, k1 (edge st).

Row 2 (WS): Sl 1 p-wise wyif (edge st), *k1, p1; rep from * to last 2 sts, k1, k1 (edge st).

Rep rows 1 & 2 for Half Brioche Rib.

Mark for armholes: When back measures 11¾" (30 cm) from the cast on edge, place marker at the beginning and end of row for armholes.

On this same row, begin with working chart III and chart IIIa as follows for your size:

RS Row: Sl 1 wyif (edge st), work row 1 of chart III (16 sts), work 93/109 sts in Half Brioche Rib as established, work row 1 of chart IIIa (16 sts), k1 (edge st).

WS Row: Sl 1 wyif (edge st), work the sts as they appear in rib st, knit or purl the yarn overs, keeping to rib pattern to last st, k1 (edge st).

Work rows 1 – 16 once, then continue working the diagonal line established until neck shaping.

When back measures 18½/19¼" (47/49 cm) from the cast on edge, mark center 43/45 sts on last row for neck, with 42/49 sts on each side of markers.

Shape Neck: Next Row (RS): Work to neck marker, slip 42/49 sts just worked to waste yarn for right side; bind off center 43/45 sts, removing neck markers, work to end – 42/49 sts.

Left Side: Work 1 WS row. Bind off 2 sts at beginning of the next RS row. Work 1 WS row. Bind off 1 st at beginning of the next RS row.

Shape Shoulder: Bind off 39/46 sts. Fasten off.

Right Side: With WS facing, slip 42/49 sts from waste yarn to needle. Work 1 WS row, then 1 RS row. Bind off 2 sts at beginning of the next WS row.

Work 1 RS row. Bind off 1 st at beginning of the next WS row.

Shape Shoulder: Bind off 39/46 sts. Fasten off.

FRONT

Cast on 127/143 sts.

Row 1 (RS): *K1, p1; rep from * to last st, k1.

Row 2 (WS): *P1, k1; rep from * to last st, p1.

Rep rows 1 & 2 until piece measures ¾" (2 cm).

Begin working Half Brioche Rib stitch.

Row 1 (RS): Sl 1 p-wise wyif (edge st), *p1, k1 below; rep from * to last 2 sts, p1, k1 (edge st).

Row 2 (WS): Sl 1 p-wise wyif (edge st), *k1, p1; rep from * to last 2 sts, k1, k1 (edge st).

Rep rows 1 & 2 for Half Brioche Rib.

Mark for armholes: When front measures 11¾" (30 cm) from the cast on edge, place marker at the beginning and end of row for armholes.

On this same row, begin with working chart III and chart IIIa as follows for your size:

RS Row: Sl 1 wyif (edge st), work row 1 of chart III (16 sts), work 93/109 sts in Half Brioche Rib as established, work row 1 of chart IIIa (16 sts), k1 (edge st).

WS Row: Sl 1 wyif (edge st), work the sts as they appear in rib st, knit or purl the yarn overs, keeping to rib pattern to last st, k1 (edge st).

Work rows 1 – 16 once, then continue working the diagonal line established until neck shaping.

When front measures 15/15¾" (38/40 cm) from the cast on edge, mark center 19/21 sts on last row for neck, with 54/61 sts on each side of markers.

Shape Neck: Next Row (RS): Work to neck marker, slip 54/61 sts just worked to waste yarn for left side; bind off center 19/21 sts, removing neck markers, work to end – 54/61 sts.

Right Side: Work 1 WS row, then bind off 3 sts at the beginning of the next RS row, work all remaining WS rows in established pattern. Bind off 2 sts at beginning of the next 3 RS rows, then bind off 1 st at the beginning of the next RS row, work 3 rows in pattern, then bind off 1 st at beginning of the next RS row, work 3 rows in pattern, then bind off 1 st at beginning of the next RS row. Continue to work in pattern st until armhole is the same length as back armhole.

Shape Neck: Next Row (RS): Work to neck marker, slip 54/61 sts just worked to waste yarn for left side; bind off center 19/21 sts, removing neck markers, work to end – 54/61 sts.

Right Side: Work 1 WS row, then bind off 3 sts at the beginning of the next RS row, work all remaining WS rows in established pattern. Bind off 2 sts at beginning of the next 3 RS rows, then bind off 1 st at the beginning of the next RS row, work 3 rows in pattern, then bind off 1 st at beginning of the next RS row. Continue to work in pattern st until armhole is the same length as back armhole.

Shape Shoulder: Bind off 31/37 sts. Fasten off.

Left Side: With WS facing, slip 54/61 sts from waste yarn to needle. Work 1 WS row, work 1 RS row, then bind off 3 sts at the beginning of the next WS row, work all remaining RS rows in established pattern. Bind off 2 sts at beginning of the next 3 WS rows, then bind off 1 st at the beginning of the next WS row, work 3 rows in pattern, then bind off 1 st at beginning of the next WS row, work 3 rows in pattern, then bind off 1 st at beginning of the next WS row. Continue to work in pattern st until armhole is the same length as back armhole.

Shape Shoulder: Bind off 31/37 sts. Fasten off.

Left Side: With WS facing, slip 54/61 sts from waste yarn to needle. Work 1 WS row, work 1 RS row, then bind off 3 sts at the beginning of the next WS row, work all remaining RS rows in established pattern. Bind off 2 sts at beginning of the next 3 WS rows, then bind off 1 st at the beginning of the next WS row, work 3 rows in pattern, then bind off 1 st at beginning of the next WS row, work 3 rows in pattern, then bind off 1 st at beginning of the next WS row. Continue to work in pattern st until armhole is the same length as back armhole.

Shape Shoulder: Bind off 31/37 sts. Fasten off.

Shape Shoulder: Bind off 31/37 sts. Fasten off.

SLEEVES

Cast on 83/91 sts.

Row 1 (RS): *K1, p1; rep from * to last st, k1.

Row 2 (WS): *P1, k1; rep from * to last st, p1.

Rep rows 1 & 2 until piece measures ¾" (2 cm).

Begin working Half Brioche Rib stitch.

Row 1 (RS): Sl 1 p-wise wyif (edge st), *p1, k1 below; rep from * to last 2 sts, p1, k1 (edge st).

Row 2 (WS): Sl 1 p-wise wyif (edge st), *k1, p1; rep from * to last 2 sts, k1, k1 (edge st).

Rep rows 1 & 2 for Half Brioche Rib until sleeve measures 8" (20 cm) from beginning, end on WS.

Bind off loosely in pattern.

FINISHING

Sew shoulder seams. Sew sleeves between markers. Sew sleeve and side seams.

Neckband: With circular needle, pick up and knit 124/128 sts around neck opening. Place marker and join to work in the round.

Rib Rnd: *K1, p1; rep from * around.

Rep Rib rnd until ribbing measures ¾" (2 cm).

Bind off all sts loosely in pattern.

Weave in ends. Block as desired.



Quality since 1867

10 Pullover

Grösse S–M / L–XL

Modellmasse:

Oberweite	114/128 cm
Länge	49/51 cm

Material: LANGYARNS LINELLO (Leinen, Baumwolle, Viskose) 400/500 g = 4/5 Knl bunt 1066.0054. LANGYARNS / ADDI Strick-N Nr 3. 1 kurze Rundstrick-N Nr 3.

Muster I:

N Nr 3: 1 M re, 1 M li.

Muster II:

N Nr 3: Halbpantentmuster, ungerade M-Zahl: **1. R Vorders:** 1 Rdm, *1 M li, 1 M re, dabei 1 R tiefer einstechen*, von * zu * stets wdh, enden mit 1 M li, 1 Rdm. **2. R Rückr:** 1 Rdm, *1 M re, 1 M li*, von * zu * stets wdh, enden mit 1 M re, 1 Rdm. **Die Rdm nur am R-Ende str, am R-Beginn die Rdm nur abh.**

Muster III:

N Nr 3: **Betonte Ab- und Aufn (re Kante):** Gemäss Strickschrift. Das Schema zeigt die R der Vorders. In den Rückr, die M str wie sie erscheinen, die U li oder re str. 1x die 1.–16. R str, anschliessend die Diagonale sinngemäss fortsetzen.

Muster IIIa:

N Nr 3: **Betonte Ab- und Aufn (li Kante):** Gemäss Strickschrift. Das Schema zeigt die R der Vorders. In den Rückr, die M str wie sie erscheinen, die U li oder re str. 1x die 1.–16. R str, anschliessend die Diagonale sinngemäss fortsetzen.

Maschenprobe: Muster I, N Nr 3:

22 M = 10 cm breit. 36 R = 10 cm hoch.

Rückenteil: Anschl 127/143 M mit Nr 3. Im Muster I str, dabei mit 1 M li beginnen. Bei 2 cm ab Anchl im Muster II weiterstr. Bei 30 cm ab Anchl (hängend messen) beids die Höhe bezeichnen und ab nun an der re Kante Muster III und an der li Kante im Muster IIIa weiterstr, die mittleren M werden im Muster II weitergestr. Diese Diagonalen weiterstr, bis sie auf die Halsausschnittkanten treffen. Anschliessend im Muster II weiterstr. **Halsausschnitt:** Bei 47/49 cm ab Anchl die mittleren 43/45 M abk und beids davon jede 2. R noch 1x2 M und 1x1 M abk. Anschliessend die restl je 39/46 M für die **Schultern** abk.

Vorderteil: Wie am Rückenteil str. **Halsausschnitt:** Bei 38/40 cm ab Anchl die mittleren 19/21 M abk und beids davon jede 2. R noch 1x3 M, 3x2 M, 4x1 M und jede 4. R noch 2x1 M abk. Die restl Schulter-M in gleicher Höhe wie am Rückenteil abk.

Ärmel: Anchl 82/90 M mit N Nr 3. Im Muster I str, dabei mit 1 M li beginnen. Bei 2 cm ab Anchl im Muster II weiterstr. Bei 20 cm ab Anchl alle M dem Muster entsprechend abk.

Ausarbeiten: Nähte schliessen. **Halsborte:** Mit der Rundstrick-N ca 124/128 M auffassen (Vorderteil = 72/74 M, Rückenteil = 52/54 M). Im Muster I rundstr. Bei 2 cm Bortenhöhe alle M dem Muster entsprechend abk. Die Ärmel zwischen die Bezeichnungen des Vorder- und Rückenteils einsetzen.



Quality since 1867

10 Pullover

Taille S-M / L-XL

Mesures du modèle:

Tour de poitrine	114/128 cm
Longueur	49/51 cm

Fournitures: LANGYARNS LINELLO (lin, coton, viscose) 400/500 g = 4/5 pel multicolore 1066.0054. Aig LANGYARNS / ADDI N° 3. Une aig circ courte N° 3.

Point I:

Aig N° 3: 1 m à l'end, 1 m à l'env.

Point II:

Aig N° 3: Pt de demi-côte anglaise, nombre de m impair: **1er rg, sur l'end:** 1 m lis, *1 m à l'env, 1 m à l'end en piquant 1 rg plus bas*, rép tjrs de * à *, finir par 1 m à l'env, 1 m lis. **2e rg, sur l'env:** 1 m lis, *1 m à l'end, 1 m à l'env*, rép tjrs de * à *, finir par 1 m à l'end, 1 m lis. **Ne tric les m lis qu'en fin de rg et les gl en début de rg.**

Point III:

Aig N° 3: **Dim et augm apparentes (à droite):** Tric d'après la grille. Seuls les rgs de l'end sont représentés sur la grille. Sur l'env, tric les m comme elles se présentent, tric les jetés à l'end ou à l'env. Tric 1x les rgs 1 à 16, puis cont à tric les diagonales selon le même principe.

Point IIIa:

Aig N° 3: **Dim et augm apparentes (à gauche):** Tric d'après la grille. Seuls les rgs de l'end sont représentés sur la grille. Sur l'env, tric les m comme elles se présentent, tric les jetés à l'end ou à l'env. Tric 1x les rgs 1 à 16, puis cont à tric les diagonales selon le même principe.

Échantillon: Point I, aig N° 3:

22 m = 10 cm de large.
36 rgs = 10 cm de haut.

Dos: Monter 127/143 m avec les aig N° 3. Tric au pt I en commençant par 1 m à l'env. À 2 cm du montage, cont au pt II. À 30 cm du montage (à mesurer suspendu), marquer la hauteur tric de ch côté puis cont à droite au pt III et à gauche au pt IIIa en cont à tric les m centrales au pt II. Cont à tric les diagonales jusqu'à ce qu'elles rejoignent les bords de l'encolure. Cont au pt II. **Encolure:** À 47/49 cm du montage, rab les 43/45 m centrales et, vers les côtés tous les 2 rgs, rab encore 1x2 m et 1x1 m. Ensuite, pour les **épaules**, rab les 39/46 m rest de ch côté.

Devant: Tric comme pour le dos. **Encolure:** À 38/40 cm du montage, rab les 19/21 m centrales et, vers les côtés tous les 2 rgs, rab encore 1x3 m, 3x2 m, 4x1 m et tous les 4 rgs 2x1 m. Rab les m rest des épaules à la même hauteur et comme pour le dos.

Manches: Monter 82/90 m avec les aig N° 3. Tric au pt I en commençant par 1 m à l'env. À 2 cm du montage, cont au pt II. À 20 cm du montage, rab toutes les m selon le pt.

Finitions: Faire les coutures. **Bordure d'encolure:** Avec l'aig circ, relever 124/128 m (= 72/74 m sur le devant, 52/54 m du dos). Tric en rond au pt I. À 2 cm de hauteur de bordure, rab toutes les m selon le pt. Monter les manches entre les marques du devant et du dos.



Quality since 1867

10 Trui

Maat S–M / L–XL

Modelmaten:

Bovenwijdte	114/128 cm
Lengte	49/51 cm

Materiaal: LANGYARNS LINELLO (linnen, katoen, viscose) 400/500 g = 4/5 bollen bont 1066.0054. LANGYARNS / ADDI breinldn Nr 3. 1 korte rondbnrld Nr 3.

Patroon I:

Nldn Nr 3: 1 r st, 1 av st.

Patroon II:

Nldn Nr 3: halfpatentsteek, oneven aantal st: **1ste nld goede kant:** 1 kst, * 1 av st, 1 r st, hierbij 1 nld dieper insteken *, van * tot * blijven herh, eindigen met 1 av st, 1 kst. **2de nld av kant:** 1 kst, * 1 r st, 1 av st *, van * tot * blijven herh, eindigen met 1 r st, 1 kst. **De kst enkel op het einde van de nld br, bij het begin van de nld de kst afh.**

Patroon III:

Nldn Nr 3: **opvallende mind en meerd (rechterkant):** volgens breischema. Het schema toont de nld op de goede kant. Op de av kant de st br zoals ze worden beschreven, de omslag av of r br. 1x de 1ste tot de 16de nld br, aansluitend de diagonalen verder br.

Patroon IIIa:

Nldn Nr 3: **opvallende mind en meerd (linkerkant):** volgens breischema. Het schema toont de nldn op de goede kant. Op de av kant, de st br zoals ze zich voordoen, de omslag av of r br. 1x de 1ste tot de 16de nld br, aansluitend de diagonalen verder br.

Proeflapje: Patroon I, Nldn Nr 3:

22 st = 10 cm breed. 36 nldn = 10 cm hoog

Rugpand: 127/143 st opz met nldn Nr 3. In pat I br, met 1 av st beginnen. Op 2 cm van de opzet in pat II verder br. Op 30 cm van de opzet (hangend meten) aan weersz de hoogte markeren en vanaf nu aan de rechterkant in pat III en aan de linkerkant in pat IIIa verder br, de middelste st worden in pat II verder gebreid. Deze diagonalen verder br, tot de halsuitsnijding is bereikt. Aansluitend in pat II verder br. **Hals:** op 47/49 cm van de opzet de middelste 43/45 st afk en aan weersz hiervan elke 2de nld nog 1x2 st en 1x1 st afk. Aansluitend de telkens overbl 39/46 st voor de **schouders** afk.

Voorpand: als het rugpand br. **Hals:** op 38/40 cm van de opzet de middelste 19/21 st afk en aan weersz hiervan elke 2de nld nog 1x3 st, 3x2 st, 4x1 st en elke 4de nld nog 2x1 st afk. De overbl st voor de schouders op gelijke hoogte en wijze als bij het rugpand afk.

Mouwen: 82/90 st opz met nldn Nr 3. In pat I br, met 1 av st beginnen. Op 2 cm van de opzet in pat II verder br. Op 20 cm van de opzet alle st in het overeenstemmend pat afk.

Afwerking: naden sluiten. **Halsboord:** met de rondbnrld ca 124/128 st opnemen (voorpand = 72/74 st, rugpand = 52/54 st). In pat I rondbn. Op 2 cm boordhoogte alle st in het overeenstemmend pat afk. De mouwen tussen de markeringen van het voor- en rugpand inzetten.



Quality since 1867

10 Pullover

Størrelse S–M / L–XL

Modellens mål:

Overvidde 114/128 cm. Længde 49/51 cm

Materiale: LANGYARN'S LINELLO (hør, bomuld, viscose) 400/500g = 4/5 ngl broget 1066.0054. LANGYARN'S / ADDI strikkepinde nr 3. 1 kort rundpind nr 3.

Mønster I:

Pinde nr 3: 1 r, 1 vr.

Mønster II:

Pinde nr 3: Halvpatentmønster, ulige m-antal: **1. p retten:** 1 kantm, *1 vr, 1 r, idet man stikker 1 p dybere*, gentag fra *til* hele tiden, slut med 1 vr, 1 kantm. **2. p vrangen:** 1 kantm, *1 r, 1 vr*, gentag fra *til* hele tiden, slut med 1 r, 1 kantm. **Kantm strikkes kun i slutningen af p, i begyndelsen tages kantm kun løs af.**

Mønster III:

Pinde nr 3: **Særlig ind-og udtagning (højre side):** Strik ifølge diagram. Diagrammet viser p på retten. På vrangen strikkes m som de ser ud, omslaget strikkes vr eller r. 1.–16. p strikkes 1x, herefter fortsættes diagonalt.

Mønster IIIa:

Pinde nr 3: **Særlig ind-og udtagning (venstre side):** Strik ifølge diagram. Diagrammet viser p på retten, på vrangen strikkes m som de ser ud, omslaget strikkes vr eller r, herefter fortsættes diagonalt.

Strikkefasthed: Mønster I, pinde nr 3:

22 m = 10 cm bred. 36 p = 10 cm høj.

Ryggen: Slå 127/143 m op med p nr 3, idet man begynder med 1 vr. Ved 2 cm strikkes videre i mønster II. Når arb måler 30 cm (hængende mål) markéres højden i begge sider og her fra strikkes højre side i mønster II og venstre side i mønster IIIa, de midterste m strikkes videre i mønster II. Strik disse diagonaler videre indtil de mødes i halsudskæringen. Herefter strikkes videre i mønster II. **Halsudskæring:** Når arb måler 47/49 cm lukkes de midterste 43/45 m af og på begge sider heraf lukkes endnu 1x2 og 1x1 m af på hver 2. p. Herefter lukkes de resterende hver 39/46 m af til **skulder**.

Forstykke: Strikkes som ryggen. **Halsudskæring:** Når arb måler 38/40 cm lukkes de midterste 19/21 m af, og på begge sider heraf lukkes endnu 1x3, 3x2, 4x1 m af på hver 2. p og på hver 4. p lukkes endnu 2x1 m af. De resterende skulder-m lukkes af ved samme højde og på samme måde som på ryggen.

Ærmer: Slå 82/90 m op med p nr 3. Strik i mønster I, idet man begynder med 1 vr. Ved 2 cm strikkes videre i mønster II. Når ærmet måler 20 cm lukkes alle m af i tilsvarende mønster.

Montering: Sømmene sys. **Halsbort:** Med rundp samles ca 124/128 m op (forstykke = 72/74 m, ryggen = 52/54 m). Rundstrikt i mønster I. Ved 2 cm bort lukkes alle m af i tilsvarende mønster. Ærmerne sys i mellem markéringerne på forstykke og ryg.

LANG

Y A R N S

Quality since 1867



© Copyright, Lang & Co. AG, all rights reserved

Copyright & Trademarks

The authorization to use, copy and distribute this documentation is hereby granted exclusively for non-commercial use. The contents of this documentation are the sole property of Lang & Co. AG. This documentation shall not in any way constitute a right to transfer a license or other rights with respect to copyrights or trademarks of Lang & Co. AG to the recipient or to third parties.

© Copyright, Lang & Co. AG, alle Rechte vorbehalten

Urheberrechte & Marken

Die Erlaubnis zur Nutzung, Vervielfältigung und Verbreitung dieser Dokumentation wird hiermit ausschliesslich für den nicht gewerblichen Gebrauch erteilt. Die Inhalte dieser Dokumentation sind Eigentum der Lang & Co. AG. Die vorliegende Dokumentation begründet in keiner Weise die Übertragung von Lizenz- oder sonstigen Rechte in Bezug auf Urheberrechte oder Marken der Firma Lang & Co. AG an den Empfänger oder an Dritte.

© Copyright, Lang & Co. AG, tous droits réservés

Copyright et marques déposées

L'autorisation d'utiliser, copier et distribuer cette documentation est accordée exclusivement pour un usage non commercial. Le contenu de cette documentation est la propriété exclusive de Lang & Co. AG. Cette documentation ne constitue en aucune manière le droit de transférer une licence ou d'autres droits à l'égard des droits d'auteur ou des marques de Lang & Co. AG à l'acquéreur ou à des tiers.

© Copyright, Lang & Co. AG, alle rechten voorbehouden

Auteursrechten en merken

De toestemming voor gebruik, reproductie en verspreiding van deze documentatie wordt hiermee uitsluitend gegeven voor niet-commercieel gebruik. De inhoud van deze documentatie is eigendom van Lang & Co AG. De onderhavige documentatie rechtvaardigt geenszins het overdragen van licentie- of andere rechten met betrekking tot copyright of merken van de firma Lang & Co AG aan de ontvanger of aan derden.

© Copyright, Lang & Co. AG, alle rettigheder er forbeholdt.

Ophavsret & Design

Tilladelse til benyttelse, mangfoldiggørelse og udbredelse af denne dokumentation bliver hermed udelukkende tildelt for den ikke erhvervslige brug. Indholdet af denne dokumentation er Lang & Co. AG ejendom. Den foreliggende dokumentation begrundet på ingen måde overdragelse af licens eller tidligere rettigheder med hensyn til ophavsret eller Design fra firmaet Lang & Co. AG til modtager eller tredje-mand.

LANG

Y A R N S

Quality since 1867



Important notice

The working instructions are given according to size, with instructions for larger sizes given in brackets, if only one number is given it applies to all sizes.

Gauge

Knitting to the tension given is most important to ensure that the resulting garment is the correct size. Start by making a tension square: knit a piece about 15 x 15 cm (6" x 6") in the stitch pattern given for the design. Compare your piece with the gauge given in the instructions. If you find that the stitch or row count is not as given for the pattern use larger or smaller needles to achieve the required gauge.

Note: the needle and hook sizes are metric (mm), US sizes are given in brackets.

Finishing

Block pieces according to the measurements in the schematic, cover with damp cloths and leave to dry. Block again if necessary.

Sewing in threads for multi-colored knitwear

Where there is a long and irregular color repeat cut all threads to a length of approx 5 cm/2", smooth along the seam and then with sewing thread, whip st to the seam with small, close stitches.

Where there is a short and regular color repeat carry threads carefully and loosely up the edge as you knit, whenever possible do not cut threads! If cutting is necessary, lightly secure at edges.

Embroidering

When embroidering on hand-knits take care that the thread is carried loosely to avoid puckering. Embroidered motifs will look neater if a single strand is separated from the knitting yarn to give a thinner thread.

How to count knitted rows

For easy counting, mark rows by carrying a contrasting thread up the centre of the piece every 4 rows, alternately laying thread from back to front, and front to back.

A Italian cast on method for even number of sts:

Beginning with a smaller size of knitting needles than used for the rest of the garment and contrasting scrap yarn: cast on the given number of sts (= required number of sts + 1 st, divided by 2). Proceed with proper yarn. **Row 1 (RS):** 1 edge st, * k1,yo *, rep from * to *, ending with 1 edge st. **Row 2 (WS):** 1 edge st, * k the yo, sl the st that appears as a p st p-wise with yarn in front of work *, repeat from * to *, ending with 1 edge st. **Row 3 (RS) and row 4 (WS):** K the k sts, sl the p sts with yarn in front of work = double brioche rib. When piece is finished remove scrap yarn carefully.

B Italian cast on method for uneven number of sts:

Beginning with a smaller size of knitting needles than used for the rest of the garment and contrasting scrap yarn: cast on the given number of sts (= required number of sts + 1 st, divided by 2). Continue working with proper yarn. **Row 1 RS:** 1 edge st, * yo, k1 *, repeat from * to *, end with yo, 1 edge st. **Row 2 WS:** 1 edge st, * k the yo, sl the st that appears as a p st p-wise with yarn in front of work *, cont rep from * to *, end with k yo, 1 edge st. **Row 3 RS and row 4 WS:** K the k sts, sl the p sts with yarn in front of work = double brioche rib. – When piece is finished pull out the scrap yarn.

Italian binding off:

Connect the sts with a wool needle:

1. Hold needle with work in the left hand, from behind insert wool needle thru the edge and 1st k st, pull thread thru and leave sts on needle. **When knitting in rnds** only insert needle into the first k st.
2. Again insert wool needle thru the edge st, then in the foll p st insert wool needle from front to back, pull thread thru, let only the edge st sl from knitting needle. **When working in rnds** only insert into the first p st.
3. Again insert wool needle thru the previous k st, but this time from front to back, let st sl from knitting needle. Insert from back to front in the foll k st, leave st on knitting needle.
4. Then insert into the previous p st from back and insert into the foll p st from the front, at the same time always sl only the first st from knitting needle.
3. + 4. Cont rep until end of row. **When knitting in rnds:** Rep 3 + 4 cont until end of rnd, at the last 2 sts insert first insert knitting needle again into the sts that were bound off first.

Tips on binding off/decreasing

Nearly invisible and well executed decreases make finishing easier and give your knitwear a professional look.

Decreasing is always done on the right side of work.

Dec k sts: At the beg of row after the edge st, k2 tog, at the end of row before the edge st sl 1, k1, pss0.

Dec p sts: At the beg of row after the edge st p2tog tbl (insert needle thru st from back), at the end of the row and before the edge st, p2tog.

Seamless binding off

Do not knit the last st of the row. Turn work, sl first st and sl the unworked st over this st. Bind off additional sts in the usual way.

Zipper band

(Make 2): With double pointed needles cast on 3 or 4 sts. Alternating on WS p all sts and on RS k all sts. As soon as the band is as long as the zipper when slightly stretched leave sts on a st holder with some yarn in reserve. With sewing thread sew the bands over the material of the zipper, adjusting the length as necessary and bind off.

Jacquard pattern

When knitting in jacquard pattern work with more balls of yarn or carry strands of yarn loosely along on the WS, crossing them when you changing colour. If the resulting floats are too loose, tie off yarn or weave in.

LANG

Y A R N S



Quality since 1867

Size chart

The sizing of our patterns is according to the measurements shown in the tables, giving the necessary width and length in cm. These are body measurements without any additions. As a rule the measurements of most importance for sweaters and cardigans would be the bust; for skirts, long jackets and coats the hips will also be taken into account.

The measurements given in the pattern schematics, on the other hand, allow for ease and comfortable fit of the garment. Due to the huge variety in fashion styles these figures may vary greatly depending upon the design. So, for example, the measurements given for a top or tight-fitting, figure-hugging sweater will be quite small, but will be larger for an over-sized fit.

Ladies (Height 168 cm)

Sizes (European sizes)		XS 34	S 36	M 38	M 40	L 42	L 44	XL 46	XL 48	XXL 50	XXL 52	3XL 54	3XL 56
Bust	cm	80	84	88	92	96	100	104	110	116	122	128	134
Waist	cm	62	66	70	74	78	82	86	92	98	104	110	116
Hips	cm	86	90	94	98	102	106	110	116	122	128	134	140
Back length	cm	41	41	41	41	41	41	41	41	41	41	41	41
Shoulder width	cm	12	12	12	13	13	13	13	14	14	14	16	16
Sleeve length	cm	60	60	60	60	60	60	60	60	60	60	60	60
Upper arm	cm	26	27	28	29	30	31	32	34	36	38	40	42

Children

Ready to wear sizes / height

		98	104	110	116	122	128	134	140	146	152	158	164
Chest	cm	57	58	59	60	62	64	66	68	72	76	80	84
Waist	cm	53	54	55	56	57	58	59	61	63	65	67	69
Hips	cm	59	61	63	65	67	69	72	74	78	82	86	90
Back length	cm	24	25	26	27	29	30	31	32	34	36	38	40
Sleeve length	cm	33	36	38	41	43	46	48	51	53	55	57	59
Neck	cm	27	28	28	29	30	30	31	31	32	33	34	35

Baby

Sizes		50	56	62	68	74	80	86	92
Body length	cm	50	56	62	68	74	80	86	92
Chest	cm	42	45	47	49	51	53	55	56
Hips	cm	44	46	48	50	52	54	56	57.6
Back length	cm	14.1	15.3	16.5	17.7	18.9	20.1	21.3	22.5
Sleeve length	cm	15	16	18.5	21	23.5	26	28.5	31
Outer leg seam	cm	24	31	34.5	38	41.5	45	49.5	49.5

Men (Height 180 cm)

Sizes (European sizes)		S 44	S 46	M 48	M 50	L 52	L 54	XL 56	XL 58	XXL 60
Chest	cm	88	92	96	100	104	108	112	116	120
Waist	cm	78	82	86	90	94	98	104	110	116
Back length	cm	49	49	49	49	49	49	49	49	49
Sleeve length	cm	64	64	64	64	64	64	64	64	64
Neck	cm	37	38	39	40	41	42	43	44	45

LANG

YARN S



Quality since 1867

Abbreviations

acc	= according / accordingly
alt	= alternate
beg	= begin / beginning
ch sp	= chain space
ch st	= chain stitch
cm	= centimeter
cont	= continue / continuing
dc	= double crochet
dec	= decrease / decreasing
dpns	= double pointed needles
fol	= follows / following
g	= grams
hdc	= half double crochet
"	= inch / inches
inc	= increase / increasing
k	= knit
m	= meter / meters
mm	= millimeter / millimeters
MC	= main color
p	= purl
pat	= pattern
pss	= pass slip stitch / stitches over
rem	= remain / remaining
rep	= repeat
resp	= respectively
rnd(s)	= round / rounds
RS	= right side
sc	= single crochet
sl	= slip
sl st	= slip stitch
sp(s)	= space / spaces
st(s)	= stitch / stitches
St st	= Stockinette stitch
tbl	= through back loop
tog	= together
work even	= continue working in the established pattern over the same number of stitches without increasing or decreasing
WS	= wrong side
wyib	= with yarn at back of work
wyif	= with yarn in front
yo	= yarn over
*	= repeat from *

Textiles care symbols



Very mild fine wash. Articles made, e.g. of machine-washable wool. This washing cycle ensures a much reduced mechanical treatment. Select an appropriate washing program. Reduce the quantity of laundry substantially.



Do not bleach. The triangle with a diagonal cross (St. Andrews Cross) indicates that bleaching is not allowed. Use only bleach-free detergent.



Do not dry. Articles unsuitable for drying.



Iron at low temperature. Iron at maximum sole plate temperature of 110 °C. Corresponding to the «Polyacryl, polyamide (nylon), acetate» setting; if necessary, shiny or pressure-sensitive pieces should be ironed with a press cloth or inside out. Caution when using steam irons (as a rule, work without steam).



Professional dry-cleaning in: perchloroethylene, hydrocarbons. Normal cleaning process with no restrictions. Commercial stain removers on a solvent base may be used with some restrictions. A trial on a concealed part of the article is advisable beforehand.

CONVERTING-TABLE METRIC-SIZES/INCHES

slightly rounded, cm = centimeters

cm	Inches	cm	Inches
0.3	1/8	48.5	19
0.6	1/4	51	20
1	3/8	53.5	21
1.3	1/2	56	22
1.5	5/8	58.5	23
2	3/4	61	24
2.2	7/8	63.5	25
2.5	1	66	26
3.2	1 1/4	68.5	27
3.8	1 1/2	71	28
4.5	1 3/4	73.5	29
5	2	76	30
6.5	2 1/2	79	31
7.5	3	81.5	32
9	3 1/2	84	33
10	4	86.5	34
11.5	4 1/2	89	35
12.5	5	91.5	36
14	5 1/2	94	37
15	6	96.5	38
18	7	99	39
20.5	8	101.5	40
23	9	104	41
25.5	10	106.5	42
28	11	109	43
30.5	12	112	44
33	13	114.5	45
35.5	14	117	46
38	15	119.5	47
40.5	16	122	48
43	17	124.5	49
46	18	127	50

Knitting needles

US-Sizes	0	1	1.5	2	2.5	3	4	5	6	7	8	9	10	10.5	10.5	11	13	15	17	19	36	50	
Metric	2	2.25	2.5	2.75	3	3.25	3.5	3.75	4	4.5	5	5.5	6	6.5	7	8	9	10	12	15	20	25	
UK-Sizes	14	13		12	11	10		9	8	7	6	5	4	3	2	0	00	000					

Crochet hooks

US-Sizes	0	B-1		C-2		D-3	E-4	F-5	G-6	7	H-8	I-9	J-10	K-10.5	K-10.5	L-11	M-13	N-15	P-16
Metric	2	2.25	2.5	2.75	3	3.25	3.5	3.75	4	4.5	5	5.5	6	6.5	7	8	9	10	15
UK-Sizes	14	13	12	12	11	10	9	9	8	7	6	5	4	3	2	0	00	000	-

LANG

Y A R N S



Quality since 1867

Wichtige Hinweise:

Die Angaben sind jeweils der Grösse nach aufgeführt, getrennt durch Schrägstrich. Sofern nur eine Zahl notiert ist, gilt diese für alle Grössen.

Die Maschenprobe

Das Wichtigste für ein gutes Gelingen Ihrer Strickarbeit ist das Einhalten der in der Strickanleitung angegebenen Maschenprobe. Stricken Sie, vor Beginn Ihrer Arbeit, ein Stück von ca. 15 x 15 cm in dem für das Modell beschriebenen Muster. Vergleichen Sie nun Ihr Resultat mit der in der Anleitung angegebenen Maschenprobe. Bei abweichendem Ergebnis sollten Sie entweder gröbere oder feinere Nadeln verwenden, um auf jeden Fall die Maschenprobe der Anleitung zu erhalten.

Ausarbeiten

Die Teile den Massen entsprechend aufstecken, feuchte Tücher darüberlegen und so trocknen lassen. Zuletzt das fertige Strickmodell evtl. nochmals in Form spannen.

Fäden vernähen bei vielfarbigen Stricksachen:

Bei langen und unregelmässigen Farbrapporten alle Fäden auf ca. 5 cm Länge kürzen, der Naht entlang glattstreichen und mit nahe beieinander liegenden Überwendlingsstichen mit Nähfäden an die Strickkanten nähen.

Bei kurzen und regelmässigen Farbrapporten die Fäden sorgfältig und locker am Arbeitsrand mitführen, wenn immer möglich nicht abschneiden! Evtl leicht an den Kanten befestigen.

Sticken

Beim Sticken auf Handgestricktem darauf achten, dass die Fäden locker geführt werden. Maschenstichmotive werden schöner in der Fläche, wenn aus dem Stickfaden ein Fach herausgezogen wird.

Zählen der gestrickten R

Einen andersfarbenen Faden stets nach 4 gestrickten R in der Mitte des Strickstückes abw 1x nach vorne, 1x nach hinten legen.

A Italienisch Anschlagen für gerade Maschenzahl:

Mit feineren Strick-N und einem Rest kontrastfarbenem Garn die angegebene M-zahl anschl (benötigte M-zahl plus 2 M, geteilt durch 2). Mit Originalgarn weiterarb. **1. R Vorders:** 1 Rdm, *1 M re, 1 U*, von * zu * fortl wdh, enden mit 1 Rdm. **2. R Rück:** 1 Rdm, *den U re abstr, die li erscheinende M li abh mit dem Faden vor der Arb*, von * zu * fortl wdh, enden mit 1 Rdm. **3. R Vorders + 4. R Rück:** die re erscheinenden M re abstr, die li erscheinenden M li abh mit dem Faden vor der Arb = **Doppelpatent**. – Am fertig gestr Teil das Kontrastgarn lösen.

B Italienisch Anschlagen für ungerade Maschenzahl:

Mit feineren Strick-N und einem Rest kontrastfarbenem Garn die angegebene MZahl anschl (benötigte M-zahl plus 1 M, geteilt durch 2). Mit Originalgarn weiterarb. **1. R Vorders:** 1 Rdm, *1 U, 1 M re*, von * zu * fortl wdh, enden mit 1 U, 1 Rdm. **2. R Rück:** 1 Rdm, *den U re abstr, die li erscheinende M li abh mit dem Faden vor der Arb*, von * zu * fortl wdh, enden mit 1 U re str, 1 Rdm. **3. R Vorders + 4. R Rück:** die re erscheinenden M re abstr, die li erscheinenden M li abh mit dem Faden vor der Arb = **Doppelpatent**. – Am fertig gestr Teil das Kontrastgarn lösen.

Italienisch abketten:

Die M mit der Sticknadel im Maschenstich verbinden:

1. Die N mit der Arbeit in der li Hand halten, mit der Sticknadel in die Rdm und in die 1. re-M von hinten einstecken, Faden durchziehen, M auf der N lassen. **Beim Rundstr** nur in die 1. re-M einstecken.
2. Mit der Sticknadel nochmals in die Rdm, dann in die folg li-M von vorne nach hinten einstecken, Faden durchziehen, nur die Rdm von der N gleiten lassen. **Beim Rundstr** nur in die 1. li-M einstecken.
3. Wieder in die vorhergehende re-M einstecken, diesmal jedoch von vorne nach hinten, die M von der N gleiten lassen. Von hinten nach vorne in die folg re-M einstecken, M auf der N lassen.
4. Nun in die vorhergehende li-M von hinten und in die folg li-M von vorne einstecken, dabei immer nur die erste M von der Strick-N gleiten lassen.
3. + 4. bis zum Reihende fortl wdh. **Beim Rundstr: 3. + 4.** bis zum Rundenende fortl wdh, bei den letzten beiden M nochmals in die beiden zuerst abketteten M einstecken.

Tipps zum Abnehmen/Abketten

Schöne und beinahe unsichtbare Abn erleichtern das Ausarbeiten und verleihen Ihren fertigen Stricksachen ein edles, konfektionsmässiges Aussehen:

Die Abnehmen werden immer auf der Vorders gearb.

Abn bei re-M: am R-Anfang nach der Rdm 2 M re zus-str, am R-Ende vor der Rdm 1 übz Abn arb.

Abn bei li-M: am R-Anfang nach der Rdm 2 M li verschr zus-str, am R-Ende vor der Rdm 2 M li zus-str.

Stufenloses Abketten

Die letzte M der R nicht abstr. Die Arb wenden, die 1. M der li N abh und die nicht gestr M der Vor-R über die abgeh M ziehen. Die weiteren M wie gewohnt abk.

Reissverschlussblende

(2x arb): Anschl 3 oder 4 M mit Spiel-N. Abw auf der Rück alle M li, auf der Vorders alle M re str. Sobald die Blende leicht gedehnt die Reissverschlusslänge erreicht, die M mit etwas Garnreserve liegen lassen. Die Blenden auf der Innenseite mit Nähfäden über das Stoffteil des Reissverschlusses nähen, dabei die Länge regulieren und die M abk.

Jacquardmuster

Beim Jacquardmuster mit mehreren Knäueln arbeiten oder die Fäden auf der Rückseite locker mitführen und beim Farbwechsel kreuzen. Wenn zu lange Flottierungen entstehen, die Fäden abbinden, resp. einweben.

LANG

Y A R N S



Quality since 1867

Grössentabelle

Die Grössenangaben unserer Modelle richten sich nach der Masstabelle, in der für jede Grösse die notwendigen Breiten- und Längenmasse in Zentimetern aufgelistet sind. Dabei handelt es sich um Körpermasse ohne Zugaben. Das wichtigste Mass für Pullis und Jacken ist in der Regel die Oberweite, für Röcke, lange Jacken und Mäntel wird auch die Hüftweite berücksichtigt.

Im Unterschied zu den Tabellenmassen enthalten die Masse der Schnittschemas bereits die für einen bequemen Tragekomfort des Kleidungsstücks nötigen Zugaben. Durch die modische Vielfalt der Designs sind diese Zugaben bei den einzelnen Modellen sehr unterschiedlich. So wird beispielsweise bei einem Top oder einem eng anliegenden, figurbetonen Pulli die Zugabe nur ganz gering, bei einem Oversized-Schnitt grösser ausfallen.

Damen (Körpergrösse 168 cm)

Grössen		XS	S	M	M	L	L	XL	XL	XXL	XXL	3XL	3XL
		34	36	38	40	42	44	46	48	50	52	54	56
Oberweite	cm	80	84	88	92	96	100	104	110	116	122	128	134
Taillenweite	cm	62	66	70	74	78	82	86	92	98	104	110	116
Hüftweite	cm	86	90	94	98	102	106	110	116	122	128	134	140
Rückenlänge	cm	41	41	41	41	41	41	41	41	41	41	41	41
Schulterbreite	cm	12	12	12	13	13	13	13	14	14	14	16	16
Ärmellänge	cm	60	60	60	60	60	60	60	60	60	60	60	60
Oberarmweite	cm	26	27	28	29	30	31	32	34	36	38	40	42

Kinder

Konfektions- und Körpergrösse		98	104	110	116	122	128	134	140	146	152	158	164
Oberweite	cm	57	58	59	60	62	64	66	68	72	76	80	84
Taillenweite	cm	53	54	55	56	57	58	59	61	63	65	67	69
Hüftweite	cm	59	61	63	65	67	69	72	74	78	82	86	90
Rückenlänge	cm	24	25	26	27	29	30	31	32	34	36	38	40
Ärmellänge	cm	33	36	38	41	43	46	48	51	53	55	57	59
Halsweite	cm	27	28	28	29	30	30	31	31	32	33	34	35

Baby

Grössen		50	56	62	68	74	80	86	92
Körperhöhe	cm	50	56	62	68	74	80	86	92
Oberweite	cm	42	45	47	49	51	53	55	56
Hüftweite	cm	44	46	48	50	52	54	56	57.6
Rückenlänge	cm	14.1	15.3	16.5	17.7	18.9	20.1	21.3	22.5
Ärmellänge	cm	15	16	18.5	21	23.5	26	28.5	31
Seitl. Hosnlänge	cm	24	31	34.5	38	41.5	45	49.5	49.5

Herren (Körpergrösse 180 cm)

Grössen		S	S	M	M	L	L	XL	XL	XXL
		44	46	48	50	52	54	56	58	60
Oberweite	cm	88	92	96	100	104	108	112	116	120
Bundweite	cm	78	82	86	90	94	98	104	110	116
Rückenlänge	cm	49	49	49	49	49	49	49	49	49
Ärmellänge	cm	64	64	64	64	64	64	64	64	64
Halsweite	cm	37	38	39	40	41	42	43	44	45



Abkürzungen

Abb	= Abbildung
abh	= abheben
abk / Abk	= abketten / Abketten
abn / Abn	= abnehmen / Abnehmen
abstr	= abstricken
abw	= abwechselnd
anschl / Anschl	= anschlagen / Anschlag
Anz	= Anzahl
arb / Arb	= arbeiten / Arbeit
aufn / Aufn	= aufnehmen / Aufnehmen
beids	= beidseitig
Bg	= Bogen
bzw	= beziehungsweise
cm	= Zentimeter
dh	= das heisst
dopp	= doppelt
D-Stb	= Doppelstäbchen
evtl	= eventuell
fM	= feste Masche
folg	= folgende
fortl	= fortlaufend
g	= Gramm
gem	= gemäss
gestr	= Gestrickt
häk	= häkeln
hStb	= halbes Stäbchen
inkl	= inklusiv
KM	= Kettenmasche
Lftm	= Luftmasche
Lftmbg	= Luftmaschenbogen
li	= links / linke
M	= Masche
M-glied	= Maschenglied
M-stich	= Maschenstich
M-zahl	= Maschenzahl
N	= Nadel
Nr.	= Nummer
Rdm	= Randmasche
R	= Reihe
Rd	= Runde
re	= rechts / rechte
restl	= restliche
Rücks	= Rückseite
Schl	= Schlinge
seitl	= seitliche / seitlichen
sep	= separat
Stb	= Stäbchen
str	= stricken
übz Abn	= überzogenes Abnehmen
U	= Umschlag
usw	= und so weiter
verschr	= verschränkt
vert	= verteilt
Vorders	= Vorderseite
weiterarb	= weiterarbeiten
wdh	= wiederholen
*	= Wiederholungszeichen
x	= Malzeichen
zB	= zum Beispiel
zus	= zusammen
zW	= zum Wenden

Pflegezeichen



Sehr schonender Prozess: Feinwäsche beispielsweise aus maschinenwaschbarer Wolle. Dieser Waschgang weist eine besonders schonende mechanische Behandlung auf. Wäschemenge stark reduzieren. Trommel nur bis zu einem Drittel füllen.



Nicht Bleichen. Das durchgestrichene Dreieck symbolisiert, dass Bleichen nicht möglich ist. Nur bleichmittelfreie Waschmittel verwenden.



Nicht im Tumbler trocknen. Artikel für Tumbler-trocknung nicht geeignet.



Nicht heiss bügeln. Bügeln mit einer Höchsttemperatur der Bügeleisensole von 110° C entspricht Stufe «Polyacryl, Polyamid (Nylon), Acetat»: Glanz- oder druckempfindliche Artikel auf der Rückseite bügeln. Nicht verziehen. Keinen Dampf verwenden.



Professionelle Chemischreinigung mit folgenden Lösemitteln: Perchlorethylen und/oder Kohlenwasserstoffen. Normaler Reinigungsprozess ohne Einschränkung



Notes importantes

Les indications données dans l'ordre des tailles sont séparées par une barre oblique. S'il n'y a qu'un chiffre, celui-ci est valable pour toutes les tailles.

Échantillon du point et grosseur des aiguilles

La condition principale pour un modèle réussi est de respecter exactement les données de l'échantillon. Avant de commencer votre ouvrage, tricotez une pièce (15 x 15 cm) au point indiqué. Mesurez-le ensuite et comparez votre résultat aux données de l'échantillon. Si vous constatez une différence, recommencez avec des aiguilles plus ou moins grosses pour obtenir un échantillon identique.

Assemblage

Épingler les pièces d'après les mesures, recouvrir d'un linge humide et laisser sécher. Répéter l'opération une fois les pièces assemblées.

Arrêter les fils (d'ouvrages multicolores)

Pour de larges rayures ou des changements de coloris irréguliers, couper tous les fils pour avoir des bouts d'environ 5 cm, les lisser le long de la couture et, avec du fil à coudre, les fixer à points de surjet rapprochés le long de la lisière du tricot.

Quand les rayures sont fines et régulières, faire suivre doucement les fils inemployés le long de la lisière, si possible sans les couper! Les fixer doucement à la lisière si nécessaire.

Broder

Broder sur le tricot en prenant soin de travailler doucement, sans trop tirer sur le fil. Les motifs au point de maille sont plus beaux et réguliers si un brin a été retiré du fil à broder au préalable.

Compter les rangs tricotés

Tous les 4 rangs, passer un fil contrastant au milieu du tricot entre les aiguilles en alternant 1x par devant, 1x par derrière.

Montage à l'italienne

A Pour un nombre de mailles pair:

Avec des aig à tric plus fines que celles utilisées pour le tricot, monter le nombre de m indiqué avec un fil de couleur contrastante (nombre de m nécessaires plus 2 m, divisé par 2). Cont avec le fil du trav. **1er rg sur l'end:** 1 m lis, *1 m end, 1 jeté*, rép tjrs de * à *; finir par 1 m lis. **2e rg sur l'env:** 1 m lis, *tric le jeté à l'end, gl la m env à l'env en passant le fil devant l'ouvrage*, rép de * à *; finir par 1 m lis. **3e rg sur l'end + 4e rg sur l'env:** tric ch m end à l'end et gl les m env à l'env, fil devant l'ouvrage = **cf. tricot double face** (utilisé en général pour les chaussons de lit) – Une fois la pièce entièrement tric, défaire le rg en fil contrastant.

B Pour un nombre de mailles impair:

Avec des aig plus fines, monter le nombre de m indiqué avec un fil de couleur contrastante (nombre de m nécessaires plus 1 m, divisé par 2). Cont avec le fil de trav. **1er rg sur l'end:** 1 m lis, *1 jeté, 1 m end*, rép tjrs de * à *; finir par 1 jeté, 1 m lis. **2e rg sur l'env:** 1 m lis, *tric le jeté à l'end, gl la m env à l'env avec le fil devant l'ouvrage*, rép tjrs de * à *; finir en tric le jeté à l'end, 1 m lis. **3e rg sur l'end + 4e rg sur l'env:** tric ch m end à l'end et gl les m env à l'env avec le fil devant l'ouvrage = **cf. tricot double face**. Une fois la pièce entièrement tric, défaire le rg en fil contrastant.

Rabattre les mailles à l'italienne

Rabattre les m au pt de grafting à l'aide d'une aig à tapisserie:

1. Tenir l'ouvrage de la main gauche et, avec l'aig à tapisserie, piquer **par derrière** dans la m lis et la 1re m end, tirer sur le fil, laisser les m sur l'aig à tric. Pour le tricot en rond, ne piquer que dans la 1re m end.
2. Depuis l'**avant**, piquer de nouveau dans la m lis puis dans la m env suiv, tirer sur le fil et faire tomber la m lis de l'aig à tric. Pour le **tricot en rond**, piquer dans la 1re m env.
3. Revenir de nouveau dans la m end précédente en piquant cependant d'avant en arrière et la faire tomber de l'aig à tric. Piquer d'arrière en avant dans la m end suiv et laisser cette m sur l'aig à tric.
4. Revenir dans la m env précédente en piquant depuis l'arrière puis piquer dans la m env suiv depuis l'avant, faire tjrs tomber la première de ces m de l'aig à tric.
3. + 4.: rép les étapes 3 + 4 jusqu'à la fin du rg. **Tricot en rond:** rép les étapes 3 + 4 jusqu'à la fin du tour, piquer cependant de nouveau dans les 2 premières m rabattues en fermant les 2 dernières m.

Astuces pour diminuer/rabattre

De belles diminutions pratiquement invisibles facilitent la finition d'un ouvrage et lui confèrent l'aspect soigné du fait main professionnel. Toujours diminuer sur l'end.

Dim dans les m end: au début du rg, tric la m lis, 2 m ens à l'end; à la fin du rg, faire 1 surjet, tric la m lis.

Dim dans les m env: au début du rg, tric la m lis, 2 m ens à l'env en les tordant; à la fin du rg, tric 2 m ens à l'env, tric la m lis.

Rabattre les mailles sans escaliers

Pour rab les m sans «escaliers», ne pas tric la dernière m du rg, tourner l'ouvrage, gl la 1re m de l'aig gauche et rab la m non tric du rg précédent sur cette m gl. Rab les m suiv normalement.

Pattes de la fermeture à glissière (tric 2x)

Monter 3 ou 4 m sur une aig à deux pointes. Tric altern à l'env sur l'env et à l'end sur l'end. Dès que la patte légèrement étirée est de même longueur que la glissière, mettre les m en attente avec un reste de fil. Coudre les pattes sur l'env de l'ouvrage, sur la partie textile de la fermeture à glissière (avec du fil à coudre), régler la longueur et rab les m.

Motif de jacquard

Tricoter le motif de jacquard avec plusieurs pelotes ou faire suivre doucement les fils sur l'envers du travail et les croiser lors du changement de couleur. Si les fils flottés sont trop longs, les intégrer dans l'ouvrage en les tissant dans les mailles.

LANG

Y A R N S



Quality since 1867

Tableau des tailles

Les indications sur les tailles de nos modèles se réfèrent au tableau des tailles dans lequel sont indiquées en cm les mesures de la hauteur et de la largeur nécessaires pour chaque taille. Il s'agit de mensurations sans marges. La mesure la plus importante pour les pulls et les gilets est en général celle du tour de poitrine; pour les jupes, les gilets longs et les manteaux celle du tour de hanches est également prise en compte.

À la différence des mesures du tableau, les mesures des schémas comprennent les marges nécessaires pour être à l'aise dans le vêtement. En raison de la diversité des créations, ces marges peuvent fortement varier d'un modèle à l'autre. Les marges pour un haut ou un pull près du corps par exemple seront bien différentes de celles d'une coupe oversize forcément plus importantes.

Femme (stature 168 cm)

Tailles		XS 34	S 36	M 38	M 40	L 42	L 44	XL 46	XL 48	XXL 50	XXL 52	3XL 54	3XL 56
Tour de poitrine	cm	80	84	88	92	96	100	104	110	116	122	128	134
Tour de taille	cm	62	66	70	74	78	82	86	92	98	104	110	116
Tour de hanches	cm	86	90	94	98	102	106	110	116	122	128	134	140
Hauteur dos	cm	41	41	41	41	41	41	41	41	41	41	41	41
Largeur d'épaules	cm	12	12	12	13	13	13	13	14	14	14	16	16
Longueur de manche	cm	60	60	60	60	60	60	60	60	60	60	60	60
Tour de bras	cm	26	27	28	29	30	31	32	34	36	38	40	42

Enfant

Taille de confection / stature		98	104	110	116	122	128	134	140	146	152	158	164
Tour de poitrine	cm	57	58	59	60	62	64	66	68	72	76	80	84
Tour de taille	cm	53	54	55	56	57	58	59	61	63	65	67	69
Tour de hanches	cm	59	61	63	65	67	69	72	74	78	82	86	90
Hauteur dos	cm	24	25	26	27	29	30	31	32	34	36	38	40
Longueur de manche	cm	33	36	38	41	43	46	48	51	53	55	57	59
Tour de cou	cm	27	28	28	29	30	30	31	31	32	33	34	35

Bébé

Tailles		50	56	62	68	74	80	86	92
Stature	cm	50	56	62	68	74	80	86	92
Tour de poitrine	cm	42	45	47	49	51	53	55	56
Tour de hanches	cm	44	46	48	50	52	54	56	57,6
Hauteur dos	cm	14,1	15,3	16,5	17,7	18,9	20,1	21,3	22,5
Longueur de manche	cm	15	16	18,5	21	23,5	26	28,5	31
Longueur pantalon (côté)	cm	24	31	34,5	38	41,5	45	49,5	49,5

Homme (stature 180 cm)

Tailles		S 44	S 46	M 48	M 50	L 52	L 54	XL 56	XL 58	XXL 60
Tour de poitrine	cm	88	92	96	100	104	108	112	116	120
Tour de taille	cm	78	82	86	90	94	98	104	110	116
Hauteur dos	cm	49	49	49	49	49	49	49	49	49
Longueur de manche	cm	64	64	64	64	64	64	64	64	64
Tour de cou	cm	37	38	39	40	41	42	43	44	45

LANG

Y A R N S



Quality since 1867

Abréviations

aig	= aiguille(s)
altern	= alternativement
arc.	= arceau(x)
augm	= augmenter / augmentation(s)
auxil	= auxiliaire(s)
br	= bride(s)
c-à-d	= c'est-à-dire
ch	= chacun(e) / chaque
cm	= centimètre(s)
cont	= continuer
croch	= crocheter
dbr	= demi-bride(s)
dble(s) br	= double(s) bride(s)
dim	= diminuer / diminution(s)
end	= endroit
ens	= ensemble
env	= envers
env.	= environ
fs ou x	= fois
fig	= figure
gl	= glisser
g	= gramme(s)
lis	= lisière
m	= maille(s)
m c	= maille(s) coulée(s)
m ch	= maille(s) chaînette(s)
m s	= maille(s) serrée(s)
N°	= numéro
pel	= pelote(s)
préc	= précédent(e)(s)
pt(s)	= point(s)
rab	= rabattre
rg(s)	= rang(s)
rép	= répéter
repr	= reprendre
rest	= restant(e)(s)
sép	= séparer / séparément
suiv	= suivant(e)(s)
tot	= total
tjrs	= toujours
t	= tour(s)
trav	= travail / travailler
tric	= tricoter
*	= signe de reprise

Symboles d'entretien des textiles



Linge délicat. Articles en laine lavables à la machine par exemple. Les sollicitations mécaniques de ce programme sont particulièrement douces. Réduire fortement la quantité de linge. Lancer le programme correspondant.



Blanchiment interdit. Le triangle barré exclut tout blanchiment. Utiliser seulement des produits de lessive exempts d'agents de blanchiment.



Séchage en machine interdit. Articles ne pouvant supporter le séchage dans un sèche-linge à tambour rotatif.



Repassage à basse température. Correspondant aux polyacryliques, au polyamide (nylon) et à l'acétate. Articles sensibles au brillant ou à la pression: intercaler un linge sec entre le fer et l'ouvrage ou repasser à l'envers, en veillant à ne pas déformer l'ouvrage. Attention lors de l'utilisation d'un fer à vapeur (repasser de préférence sans vapeur).



Nettoyage à sec au perchloréthylène ou aux hydrocarbures. Processus normal, sans restriction. Usage restreint de détachants du commerce à base de solvants. Essai préalable recommandé sur une partie invisible de l'ouvrage.

LANG

Y A R N S



Quality since 1867

Belangrijke aanwijzingen:

De aanwijzingen voor de verschillende maten worden door een schuin streepje / gescheiden. Als er maar één cijfer wordt opgegeven, geldt dit voor alle maten.

Proeflapje en naaldendikte

Het succes van uw werkstuk wordt voor een heel groot deel bepaald door het juist volgen van de gegevens van uw proeflapje. Voor u met het werk begint, brei 15 x 15 cm in het opgegeven patroon. Vervolgens meten en uw resultaten vergelijken met de gegevens van het model proeflapje. Bij verschillen, probeert u het met dunnere of dikkere naalden tot u een identiek proeflapje krijgt.

In elkaar zetten

De verschillende delen volgens maat opspelden, bedekken met een vochtige doek en laten drogen. Na in elkaar zetten, afgewerkt stuk eventueel opnieuw op maat spelden.

Vastnaaien van draadjes bij veelkleurig breiwerk:

Voor brede strepen en onregelmatige kleurher-halingen, knip alle draadjes op een lengte van 5 cm. Naai ze vervolgens met gewone stik-zij, in de lengte langs de zijnaden vast.

Bij smalle strepen en regelmatige kleurherhalingen, de draad niet knippen, maar soepel laten volgen aan rand van het breiwerk. Bij afwerking eventueel licht bevestigen aan zijnaad.

Borduren

Bij opborduren van motieven ervoor zorgen soepel te werken, en niet te hard aan de draad te trekken. Gemaasde motieven zijn mooier en regelmatig, als er uit het borduurgaren, 1 draadje wordt getrokken.

Tellen van gebreide rijen

Een anderskleurige draad nemen en in het midden van het gebreide stuk, deze draad om de vier rijen 1x naar voren brengen, en 1x naar achteren.

A Italiaanse opzet voor een even paar steken:

Met dunnere naalden en een restje draad in een contrasterende kleur, het aantal opgegeven steken opzetten (het aantal benodigde st + 2, gedeeld door 2). Verder gaan met de werkdraad: eerste rij op goede kant werk: 1 kantst * 1 st r, 1 omslag* altijd * tot * herhalen en eindigen met 1 kantst. Tweede rij op achterkant werk: 1 kantst * de omslag r breien, de av st av afhalen terwijl de draad voor het werk houden * altijd * tot * herhalen eindigen met 1 kantst. Derde rij op goede kant en vierde rij op averechtse kant: elke r st r breien en de av st av afhalen met draad voor het werk = dubbele patent. Bij het beëindigen van het werk contrasterende draad verwijderen.

B Italiaanse opzet voor een oneven paar steken:

Met dunnere naalden, het aantal opgegeven steken opzetten (het aantal benodigde st + 1, gedeeld door 2) met een restje draad in een contrasterende kleur. Verder gaan met de werkdraad: eerste rij op goede kant werk: 1 kantst * 1 omslag, 1 st r* altijd * tot * blijven herhalen en eindigen met 1 omslag en 1 kantst. Tweede rij op achterkant werk: 1 kantst * de omslag r breien, de av st av afhalen terwijl de draad voor het werk houden * altijd * tot * herhalen eindigen met 1 omslag r breien en 1 kantst. Derde rij op goede kant en vierde rij op averechtse kant: elke r st r breien en de av st av afhalen met draad voor het werk = dubbele patent. Bij het beëindigen van het werk contrasterende draad verwijderen.

Italiaans afkanten:

Steken samenmaken met behulp van een maasnaald:

1. Het werk op de breinaald in de linkerhand houden, met maasnaald achteraan in de kantst en eerste st rechts steken, de draad aantrekken maar de st op de breinaald laten. Voor het rondbreiwerk enkel in de eerste r st steken.
 2. Vanaf de voorkant, opnieuw in de kantst st en dan in de volgende av st, aan de draad trekken en de kantst van de naald laten vallen. Voor het rondbreiwerk, in de eerste av st steken.
 3. Opnieuw teruggaan naar de voorgaande r st en nu van voren naar achter steken in de st en ze van de naald laten vallen. In de volgende r st van achter naar voor steken, deze st op de breinaald laten.
 4. Terugkomen in de voorgaande av st langs achter steken daarna in de volgende av steek vanaf voorkant steken, altijd de eerste van deze steken van de breinaald laten vallen.
3. + 4. De punten 3 en 4 herhalen tot op einde van de rij. Voor het rondbreien de punten 3 en 4 herhalen tot op einde van de toer, en dan nogmaals in de twee eerste afgekante st met de naald st en zo de laatste twee st afkanten.

Tips voor minderingen/afkanten

Mooie en bijna onzichtbare minderingen zorgen ervoor dat de afwerking makkelijker wordt en dat uw breiwerk een hoogkwalitatief confectie-uitzicht krijgt.

De minderingen worden altijd op goede kant gebreid.

Mindingen bij rechtse st: bij begin rij na de kst 2 st r samenbr, op einde rij voor de kst een overhaling (1 st afh, 1 st r br, afgeh st over gebr st halen) maken.

Mindingen bij av st: bij begin rij 2 st av gedr samenbr, op einde rij voor de kst 2 st av samenbr.

Traploos afkanten

De laatste st van de r niet br. Het werk draaien, de 1st st van de linkernd afh en de niet gebr st van de voorgaande nld over de afgeh st halen. De verdere st gewoon afk.

Ritszoompjes

(2x br): 3 of 4 st opz met tweepuntige nldn. Afwiss op av kant alle st av, op goede kant alle st r br. Zodra de zoompjes licht gerokken even lang zijn als de rits, de st met wat draadreserve laten liggen. De zoompjes op de binnenkant met naaidraad vastnaaien over het stofgedeelte van de rits, de lengte aanpassen en de st afk.

Jacquardpatronen

Bij jacquardpatronen met verschillende kluwen de draden op de av zijde soepel meevoeren en kruisen bij de kleurwissel. Als er te lange lussen ontstaan de draden afknippen en instoppen.

LANG

Y A R N S



Quality since 1867

Maattabel

De afmetingen van onze modellen zijn gebaseerd op de maattabel, waarbij de benodigde breedte- en lengtematen voor iedere grootte in centimeters worden vermeld. Hierbij gaat het om lichaamsmaten zonder toevoegingen. De belangrijkste maat van truien en jassen is meestal de bovenwijdte, voor rokken, lange jassen en mantels wordt ook de rekening gehouden met de heupbreedte.

In tegenstelling tot de tabelafmetingen, bevatten de maten van het pasvormschema al de benodigde toevoegingen voor een comfortabele pasvorm van het kledingstuk. Door de modieuze verscheidenheid van ontwerpen, zijn deze toevoegingen voor individuele modellen, zeer verschillend. Zo zal de toevoeging op een topje, of een strak nauwsluitende trui, zeer weinig zijn en zal alleen bij een oversized pasvorm iets groter uitvallen.

Dames (normale lengte, 168 cm)

Maten		XS	S	M	M	L	L	XL	XL	XXL	XXL	3XL	3XL
		34	36	38	40	42	44	46	48	50	52	54	56
Borstomtrek	cm	80	84	88	92	96	100	104	110	116	122	128	134
Tailleomtrek	cm	62	66	70	74	78	82	86	92	98	104	110	116
Heupomtrek	cm	86	90	94	98	102	106	110	116	122	128	134	140
Ruglengte	cm	41	41	41	41	41	41	41	41	41	41	41	41
Schouderbreedte	cm	12	12	12	13	13	13	13	14	14	14	16	16
Armlengte	cm	60	60	60	60	60	60	60	60	60	60	60	60
Bovenarmomtrek	cm	26	27	28	29	30	31	32	34	36	38	40	42

Kinderen

Confectie- en lichaamsmaten		98	104	110	116	122	128	134	140	146	152	158	164
Borstomtrek	cm	57	58	59	60	62	64	66	68	72	76	80	84
Tailleomtrek	cm	53	54	55	56	57	58	59	61	63	65	67	69
Heupomtrek	cm	59	61	63	65	67	69	72	74	78	82	86	90
Ruglengte	cm	24	25	26	27	29	30	31	32	34	36	38	40
Armlengte	cm	33	36	38	41	43	46	48	51	53	55	57	59
Halsomtrek	cm	27	28	28	29	30	30	31	31	32	33	34	35

Baby

Maten		50	56	62	68	74	80	86	92
Lichaamslengte	cm	50	56	62	68	74	80	86	92
Borstomtrek	cm	42	45	47	49	51	53	55	56
Heupomtrek	cm	44	46	48	50	52	54	56	57.6
Ruglengte	cm	14.1	15.3	16.5	17.7	18.9	20.1	21.3	22.5
Armlengte	cm	15	16	18.5	21	23.5	26	28.5	31
Beenlengte	cm	24	31	34.5	38	41.5	45	49.5	49.5

Herren (normale lengte, 180 cm)

Maten		S	S	M	M	L	L	XL	XL	XXL
		44	46	48	50	52	54	56	58	60
Borstomtrek	cm	88	92	96	100	104	108	112	116	120
Tailleomtrek	cm	78	82	86	90	94	98	104	110	116
Ruglengte	cm	49	49	49	49	49	49	49	49	49
Armlengte	cm	64	64	64	64	64	64	64	64	64
Halsomtrek	cm	37	38	39	40	41	42	43	44	45

LANG

Y A R N S



Quality since 1867

Afkortingen

*	= herhalingsteken
af	= afhalen
afk	= afkanten
afwiss	= afwisselend
av	= averechts
beginn	= beginnen
bijz	= bijzetten
bl	= blauw
br	= breien
cm	= centimeter
gedr	= gedraaid
gr	= gram
gr	= groen
halsk	= halskant
herh	= herhalen
hknl	= haaknaald
hulpnl	= hulpnaald
ital	= italiaans
kr	= kruisen
kst	= kantst
meer	= meerderen / meerdering
mind	= minderen/ mindering
nldn	= naalden
nr	= nummer
ong	= ongeveer
opz	= opzetten
overbl	= overblijvende
pat	= (steken)patroon
r	= rechts / rij
rondbr	= rondbreien
rondbrnldn	= rondbreinaalden
samenbr	= samenbreien
st	= steek / steken
st	= stokje
tr	= toer
ttz	= het is te zeggen
volg	= volgende
weersk	= weerskanten
weersz	= weerszijden
x	= maal / aantal keren

Pictogrammen Textielverzorging



Zeer zacht proces: Fijne was bijvoorbeeld, uit machine wasbare wol. Deze cyclus heeft een bijzonder zachte mechanische behandeling. Verminder hoeveelheid wasgoed sterk. Drum vullen slechts tot een derde.



Niet bleken. De gekruiste driehoek symboliseert dat het bleken niet mogelijk is. Gebruik alleen bleekwater wasmiddel.



Niet in de droger. Artikelen is niet geschikt voor wasdroger.



Niet heet strijken. Strijken met een maximale temperatuur van de zoolplaat van 110 °C . Deze komt overeen met het niveau van «Acryl, polyamide (nylon), acetaat»: glans- of drukgevoelige stoffen op de achterzijde strijken. Niet eraan trekken. Geen stoom gebruiken.



Professionele stomerij met de volgende Oplosmiddelen: Perchloorethyleen en / of koolstofwaterstofatomen. Normaal reinigingsproces zonder beperkingen

LANG

Y A R N S



Quality since 1867

Vigtige henvisninger

Angivelserne er hver især anført efter størrelse, adskilt ved skråstreg. Såfremt kun et tal er noteret, gælder dette for alle størrelser.

Strikkefasthed

Det vigtigste for at opnå et godt resultat af strikkearbejdet er, at man overholder den strikkefasthed, der er angivet i strikkeopskriften. Før arbejdet påbegyndes strikkes et stykke på cirka 15 x 15 cm i det mønster, som er beskrevet for modellen. Sammenlign nu resultatet med den strikkefasthed, som er angivet i opskriften. Hvis resultatet afviger, skal der enten anvendes grovere eller finere pinde, så man i hvert tilfælde kan opnå strikkefastheden i opskriften.

Montering

Delene sættes op i overensstemmelse med målene, fugtige klæder lægges over, og man lader det tørre således. Til sidst strækker man eventuelt den færdige strikkemodul i form endnu engang.

Syning af tråde

Ved mangefarvede strikvarer:

Ved lange og uregelmæssige farverapporter (farvegentangelser) skal alle tråde forkortes til cirka 5 cm i længden, gattes langs sømmen og med sytråd syes med kastesting, der ligger tæt op ad hinanden, til strikkanten. **Ved korte og regelmæssige farverapporter** føres trådene omhyggeligt og løst med ved kanten af arbejdet, så vidt det er muligt skal de ikke klippes af! Kan eventuelt fastgøres let til kanterne.

Brodering

Ved brodering på håndstrikket materiale skal man passe på, at trådene føres løst. Maskebroderimotiver bliver smukkere i fladen, hvis der bliver trukket en tråd ud af broderitråden.

A

Italiensk fremgangsmåde til opslåning af masker for at opnå et lige maskeantal

Med finere strikkepinde og en rest kontrastfarvet garn slås det angivne maskeantal op (det nødvendige maskeantal + 2 m, divideret med 2). Der fortsættes med at arbejde med det oprindelige garn. **1. omg. retsiden:** 1 kantmaske, *1 m r, 1 slå om*, gentag fortløbende fra * til *, slut med 1 kantmaske. **2. omg. vrangsiden:** 1 kantmaske, *strikk slå om masken ret, de masker, der ser ud som vrang, tages løst af pinden som vrang med tråden foran arbejdet*, gentag fortløbende fra * til *, slut med 1 kantmaske. **3. omg. retsiden + 4. omg. vrangsiden:** de masker, der ser ud som retmasker, strikkes ret, de masker der ser ud som vrang, tages løst af pinden som vrangmasker med tråden foran arbejdet = dobbeltpatentstriking. – På den færdigstrikkede del løsnes kontrastgarnet.

B

Italiensk fremgangsmåde til opslåning af masker for at opnå et ulige maskeantal

Med finere strikkepinde og en rest kontrastfarvet garn slås det angivne maskeantal op (det nødvendige maskeantal + 1 m, divideret med 2). Der arbejdes videre med det oprindelige garn. **1. omg. retsiden:** 1 kantmaske, *1 slå om, 1 m r*, gentag fortløbende fra * til *, slut med 1 slå om, 1 kantmaske. **2. omg. vrangsiden:** 1 kantmaske, *strikk slå om masken ret, de masker, der ser ud som vrang, tages løst af pinden som vrang med tråden foran arbejdet*, gentag fortløbende fra * til *, slut med at strikke en slå om maske ret, 1 kantmaske. **3. omg. retsiden + 4. omg. vrangsiden:** de masker, der ser ud som retmasker, strikkes ret, de masker, der ser ud som vrang, tages løst af pinden som vrangmasker med tråden foran arbejdet = dobbeltpatentstriking. – På den færdigstrikkede del løsnes kontrastgarnet.

Italiensk fremgangsmåde til aflukning af masker

Forbind maskerne med brodernålen i stikkestinget.

- Hold pinden med arbejdet i venstre hånd, der stikkes bagfra med brodernålen ind i kantmasken og ind i den 1. r m. Træk tråden igennem, lad m være på pinden. **Ved rundstriking stikkes** der kun ind i den 1. r m.
- Endnu engang stikkes der med brodernålen ind i kantmasken, derpå stikkes der forfra og bagud ind i de følgende vr m, tråden trækkes igennem, lad kun kantmasken glide af pinden. **Ved rundstriking stikkes** der kun ind i den 1. vr m.
- Igen stikkes der ind i den foregående r m, denne gang dog forfra og bagud, lad maskerne glide af pinden. Bagfra og fremad stikkes der ind i de følgende r m, lad m blive på pinden.
- Nu stikkes der ind i de foregående vr m bagfra og i de følgende vr m forfra, idet man altid kun lader den 1. m glide af strikkepinden.
3. + 4. Gentag fortløbende indtil slutningen af omgangen. **Ved rundstriking:** 3. + 4. gentag fortløbende indtil slutningen af omgangen, ved de sidste to m stikkes der endnu engang ind i de to m, som er blevet lukket af først.

Tips til indtagning/aflukning

Smukke og næsten usynlige indtagninger letter monteringen og giver de færdige strikarbejder et fornemt konfektionsmæssigt udseende:

Indtagningerne foretages altid på retsiden.

Indtagning ved r m: I begyndelsen af omg. strikkes 2 m r sm efter kantmasken, ved slutningen af omg. før kantmasken tages en m løs af pinden, den løse m trækkes over.

Indtagning ved vr m: I begyndelsen af omg. strikkes 2 m vr drejet sm efter kantmasken, ved slutningen af omg. før kantmasken strikkes 2 m vr sm.

Aflukning uden overgange

De sidste m i omg. strikkes ikke. Vend arbejdet, den 1. m på vr p tages løst af pinden, og den ikke strikkede m i beg. af omg. trækkes over den aftagne m. De øvrige m lukkes af som sædvanligt.

Bort til lynlås

(der strikkes 2 x): Slå 3 eller 4 m op på ekstra pinde. Strik skiftevis på vrangsiden alle m vr og på retsiden alle m r. Så snart borten i let strakt tilstand har nået lynlåsens længde, lader man m ligge med lidt garn i reserve. Borterne sys med sytråd på den indvendige side hen over lynlåsens stofdel, idet man samtidigt regulerer længden og lukker de resterende m af.

LANG

Y A R N S



Quality since 1867

Størrelse-tabel

Størrelse-angivelser på vores modeller retter sig efter måltabellen, idet der for hver størrelse er oplyst de nødvendige bredde og længdemål i cm. Det handler om kropsmål uden tillæg. Det vigtigste mål til pullover og jakke er som regel overvidden og til kjole, lang jakke og frakke er hoftevidden også nyttig.

Til forskel fra tabelmålene indeholder målene på snitmønstret allerede et nødvendigt tillæg for en bekvem bære-comfort af klædningsstykket. Ved den moderne mangfoldighed af design er disse tillæg ved den enkelte model meget forskellig. Således ved f. eks en top eller en stram figur er tillægget helt ubetydelig, og ved et oversize-snit større udfald.

Damer (kropslængde 168 cm)

Størrelse		XS	S	M	M	L	L	XL	XL	XXL	XXL	3XL	3XL
		34	36	38	40	42	44	46	48	50	52	54	56
Overvidde	cm	80	84	88	92	96	100	104	110	116	122	128	134
Taljevidde	cm	62	66	70	74	78	82	86	92	98	104	110	116
Hoftevidde	cm	86	90	94	98	102	106	110	116	122	128	134	140
Ryglængde	cm	41	41	41	41	41	41	41	41	41	41	41	41
Skulderbredde	cm	12	12	12	13	13	13	13	14	14	14	16	16
Ærmelængde	cm	60	60	60	60	60	60	60	60	60	60	60	60
Overarmsvidde	cm	26	27	28	29	30	31	32	34	36	38	40	42

Børn

Konfektions og kropsstørrelse

		98	104	110	116	122	128	134	140	146	152	158	164
Overvidde	cm	57	58	59	60	62	64	66	68	72	76	80	84
Taljevidde	cm	53	54	55	56	57	58	59	61	63	65	67	69
Hoftevidde	cm	59	61	63	65	67	69	72	74	78	82	86	90
Ryglængde	cm	24	25	26	27	29	30	31	32	34	36	38	40
Ærmelængde	cm	33	36	38	41	43	46	48	51	53	55	57	59
Halsvidde	cm	27	28	28	29	30	30	31	31	32	33	34	35

Baby

Størrelse		50	56	62	68	74	80	86	92
Kropshøjde	cm	50	56	62	68	74	80	86	92
Overvidde	cm	42	45	47	49	51	53	55	56
Hoftevidde	cm	44	46	48	50	52	54	56	57.6
Ryglængde	cm	14.1	15.3	16.5	17.7	18.9	20.1	21.3	22.5
Ærmelængde	cm	15	16	18.5	21	23.5	26	28.5	31
Bukselængde i siden	cm	24	31	34.5	38	41.5	45	49.5	49.5

Herren (kropslængde 180 cm)

Størrelse		S	S	M	M	L	L	XL	XL	XXL
		44	46	48	50	52	54	56	58	60
Overvidde	cm	88	92	96	100	104	108	112	116	120
Taljevidde	cm	78	82	86	90	94	98	104	110	116
Ryglængde	cm	49	49	49	49	49	49	49	49	49
Ærmelængde	cm	64	64	64	64	64	64	64	64	64
Halsvidde	cm	37	38	39	40	41	42	43	44	45

LANG

Y A R N S



Quality since 1867

Forkortelser

Aarb	=	arbejde
dr	=	drejet
fm	=	fastmaske
indt	=	indtagning
kanth	=	kantmaske
km	=	kædemaske
lm	=	luftmaske
m	=	maske
ngl	=	nøgle
nr	=	nummer
omg	=	omgang
p	=	pind
r	=	ret
rk	=	række
sm	=	sammen
stgm	=	stangmaske
vr	=	vrang
x	=	gange

Vaskesymboler



Meget skånsom proces: Eksempelvis af maskinvaskbaruld. Denne vask behøver en særlig skånsom mekanisk behandling. Vaskemængden reduceres stærkt. Maskinen kun en tredjedel fuld.



Ikke blegning. Den gennemstregede trekant symboliserer, at blegning ikke er muligt. Kun blegemiddelfri vaskemiddel anvendes.



Ikke tørres i tørretumbler. Artiklen er ikke egnet til tørretumbler.



Ikke stryges varmt. Strygetemperatur højst ved 110 gr C. Glans eller trykfølsomme artikler stryges på vrangen. Anvend ikke damp.



Kemisk rensning.