

LANG

Y A R N S

Quality since 1867



272-43
LANGYARNS
AURA

www.patternshop.langyarns.com

© by LANG & Co. AG, CH-6260 Reiden

LANG

YARN S

Quality since 1867



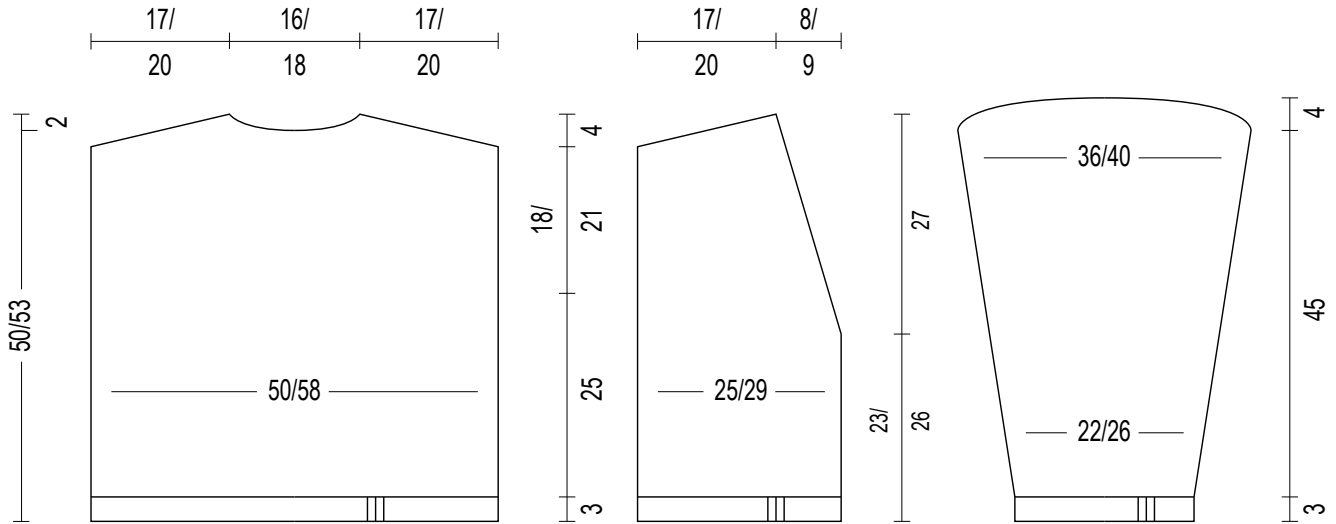
LANG

YARN S



all sizes are metric (cm)

Quality since 1867





Quality since 1867

43 Cardigan

Size S–M / L–XL

Garment measurements:

Bust 39¼"/45¾" (100/116 cm), Length 19¾"/20¾" (50/53 cm)

Materials: LANGYARNS AURA (cotton, nylon) 400/500 g = 8/10 balls of nougat 1091.0015. ADDI knitting needles, size US 6 (4mm) and US 7 (4.5mm). 1 short circular needle, size US 6 (4mm). 3 buttons.

PATTERN STITCHES

Rib st:

US 6 (4mm) needles: odd number of sts

Row 1 (RS): *k1, p1, rep from * to the last st, k1.

Row 2 (WS): *p1, k1, rep from * to the last st, p1.

Rep rows 1 & 2 for Rib st.

Stockinette st:

US 7 (4.5mm): Stockinette st = k on RS, p on WS.

Gauge: Stockinette st, US 7 (4.5mm) needles:

21 sts = 4" (10 cm), 29 rows = 4" (10 cm).

BACK

Cast on 121/139 sts with US 6 (4mm) needles.

Row 1 (RS): *k1, p1, rep from * to the last st, k1.

Row 2 (WS): *p1, k1, rep from * to the last st, p1.

Rep rows 1 & 2 until ribbing measures 1¼" (3 cm).

Change to US 7 (4.5mm) needles. Begin working Stockinette (k on RS, p on WS), dec on the first row (RS): k5, k2tog, *k7, k2tog, rep from * to the last 6 sts, k6–13/15 sts decreased.

Continue with 108/124 sts.

Mark for armholes: When back measures 11" (28 cm) place a marker at the beginning and end of your row. Work even until armhole measures 7"/8¼" (18/21 cm) from markers.

Now begin shoulder shaping and mark 26/30 center sts for neck, with 41/47 sts each side.

Note: Please read through the next section carefully before starting to knit: later you will be shaping the shoulders and neck **at the same time**, so will need to keep track of bind off sts at each edge separately.

Shoulder shaping: Bind off 5 sts 4 times & 6 sts 3 times / 6 sts 5 times & 7 sts twice each side, so initially 5/6 sts at beginning of each row.

At the same time, begin neck shaping when back measures 19"/20" (48/51 cm).

Shape shoulder and neck: Next row (RS): continue to bind off for shoulder as instructed, work to first marker then leave these sts on a holder for right side, remove marker, bind off the next 26/30 sts, remove marker and work to end.

Left side (WS): Continue to bind off for shoulder at beginning of WS rows, for neck bind off 2 sts as smoothly as possible at the beginning of the next RS row (neck edge), then 1 st at beginning of the next RS row.

Right side: With WS facing, slip sts from holder back onto the needle and work to end. Continue to bind off for shoulder at beginning of RS rows, as instructed. For neck bind off 2 sts as smoothly as possible at the beginning of the next WS row (neck edge), then 1 st at beginning of the next WS row.

LEFT FRONT

Cast on 61/71 sts with US 6 (4mm) needles.

Row 1 (RS): *p1, k1, rep from * to the last st, p1.

Row 2 (WS): *k1, p1, rep from * to the last st, k1.

Rep rows 1 & 2 until ribbing measures 1¼" (3 cm).

Change to US 7 (4.5mm) needles. Begin working Stockinette (k on RS, p on WS), dec on the first row (RS): k5/4, k2tog, *k6/8, k2tog, rep from * to the last 6/5 sts, k6/5–7 sts decreased

Continue with 54/64 sts.

V-neck: When front measures 9"/10¼" (23/26 cm) dec as follows:

Dec Row (RS): work to the last 4 sts, sl1, k1, pssso, k2 – 1 st decreased.

Rep dec every 4th row 16 times / alternately every 2nd & 4th row 13 times **and** every 4th row 7 times.

Mark for armhole: at the same length as for back, place a marker at beginning of a RS row.

Shape shoulder: at same length as for back, at beginning of RS rows.

RIGHT FRONT

Knit to mirror the left front.

V-neck: When front measures 9"/10¼" (23/26 cm) dec as follows:

Dec Row (RS): k2, k2tog, work to end – 1 st decreased.

Rep dec every 4th row 16 times / alternately every 2nd & 4th row 13 times **and** every 4th row 7 times.

Mark for armhole: at the same length as for back, place a marker at the end of a RS row.

Shape shoulder: at same length as for back, at beginning of WS rows.

SLEEVES

Cast on 54/62 sts with US 6 (4mm) needles.

Row 1 (RS): *k1, p1, rep from * to end.

Row 2 (WS): *k1, p1, rep from * to end.

Rep rows 1 & 2 until ribbing measures 1¼" (3 cm).

Change to US 7 (4.5mm) needles. Begin working Stockinette (k on RS, p on WS), dec on the first row (RS): k3/7, k2tog, *k7/12, k2tog, rep from * to the last 4/7 sts, k4/7 – 6/4 sts decreased.

Continue with 48/58 sts.

Side shaping: Inc Row (RS): k1, M1, work to the last st, M1, k1 – 2 sts increased.

Rep inc every 8th row 15 times. Work the new sts in Stockinette st.

When all increases have been completed you will have 78/86 sts.

Work even until sleeve measures 19" (48 cm).

Sleeve cap: Bind off 5/6 sts at beginning of the next 12 rows.

Bind off the remaining sts when sleeve cap measures 1½" (4 cm).

FINISHING

Close shoulder seams. Set in sleeves between markers. Sew side and sleeve seams.

Closing band: With the circular needle pick up 254/270 sts along front edges and around the back of the neck (from lower edge to V-neck = 48/54 sts each side, V-neck = 60 sts each side, back neck = 38/42 sts). Work Rib st: k1 (edge st) *p1, k1, rep to the last 2 sts, p1, k1 (edge st). When closing band measures ¾" (2 cm), make **3 buttonholes**, evenly-spaced in the **right** front band as follows: starting at the lower edge work 4 sts, bind off the next st without working the yarn and cast on 1 new st in its place, rep buttonhole in this way 2 more times with 21/24 sts in between, work to end of row. When closing band measures 1½" (4 cm) loosely bind off all sts in pattern. Sew on buttons. Weave in ends, Block as desired.



Quality since 1867

43 Jacke

Grösse S–M / L–XL

Modellmasse:

Oberweite 100/116 cm. Länge 50/53 cm

Material: LANGYARNS AURA (Baumwolle, Polyamid) 400/500 g = 8/10 Knl nougat 1091.0015. LANGYARNS / ADDI Strick-N Nr 4 und 4½. 1 kurze Rundstrick-N Nr 4. 3 Knöpfe.

Muster I:

N Nr 4: 1 M re, 1 M li.

Muster II:

N Nr 4½: Glatt re = Vorders re, Rückts li.

Tipp: Betonte Abn (V-Ausschnitt): Re Kante = 1 Rdm, 1 M re, 2 M re zus-tr. Li Kante = 1 übz Abn (1 M abh, 1 M re str dann die abgeh M über die gestr M ziehen), 1 M re, 1 Rdm.

Maschenprobe: Muster II, N Nr 4½:

21 M = 10 cm breit. 29 R = 10 cm hoch.

Rückenteil: Anschl 121/139 M mit N Nr 4. Im Muster I str, dabei mit 1 M re beginnen. Bei 3 cm ab Anschl mit N Nr 4½ im Muster II weiterstr, dabei während der 1. R vert 13/15 M abn = 108/124 M. **Armausschnitte:** Bei 28 cm ab Anschl beids eine Bezeichnung anbringen und gerade weiterstr. **Schultern:** Bei 18/21 cm ab Bezeichnung beids jede 2. R 4x5 M + 3x6 M / 5x6 M + 2x7 M abk. **Halsausschnitt:** Bei 48/51 cm ab Anschl die mittleren 26/30 M abk und beids davon jede 2. R noch 1x2 M und 1x1 M stufenlos abk (s. Wichtige Hinweise).

Linkes Vorderteil: Anschl 61/71 M mit N Nr 4. Im Muster I str, dabei mit 1 M li beginnen. Bei 3 cm ab Anschl mit N Nr 4½ im Muster II weiterstr, dabei während der 1. R vert 7 M abn = 54/64 M. **V-Ausschnitt:** Bei 23/26 cm ab Anschl an der li Kante jede 4. R 16x1 M / abw jede 2. + 4. R 13x1 M und jede 4. R 7x1 M betont abn (s. Tipp). Den **Armausschnitt** an der re Kante in gleicher Höhe wie am Rückenteil bezeichnen. Die **Schulter** an der re Kante in gleicher Höhe und wie am Rückenteil arb.

Rechtes Vorderteil: Gegengleich zum li Vorderteil str.

Ärmel: Anschl 54/62 M mit N Nr 4. Im Muster I str. Bei 3 cm ab Anschl mit N Nr 4½ im Muster II weiterstr, dabei während der 1. R vert 6/4 M abn = 48/58 M. Für die seitl Schrägung beids 15x1 M jede 8. R aufn = 78/86 M. Die neu aufgen M im Muster II mitstr. **Armkuigel:** Bei 48 cm ab Anschl beids jede 2. R 6x5/6 M abk. Bei 4 cm Armkuigelhöhe die restl M abk.

Ausarbeiten: Nähte schliessen. **Verschlussborte:** Mit der Rundstrick-N ca 254/270 M auffassen (Ab Unterkante bis Schrägung je 48/54 M, Schrägung je 60 M, Rückenteil = 38/42 M). Im Muster I str, dabei mit 1 Rdm, 1 M li beginnen und gegengleich enden. Bei 2 cm Bortenhöhe in die **re** Verschlussborte vert **3 Knopflöcher** wie folgt einstr: ab Unterkante 4 M str, die folg Masche ohne Arb-Faden abk und sofort wieder 1 M neu anschl. Dieses Knopfloch mit je 21/24 Zwischen-M noch 2x wdh, die R beenden. Bei 4 cm Bortenhöhe alle M locker dem Muster entsprechend abk. Die Ärmel zwischen die Bezeichnungen des Vorder- und Rückenteils einsetzen. Die Knöpfe annähen.



Quality since 1867

43 Gilet

Taille S-M / L-XL

Mesures du modèle:

Tour de poitrine 100/116 cm
Longueur 50/53 cm

Fournitures: LANGYARNS AURA (coton, polyamide) 400/500 g = 8/10 pel nougat 1091.0015. Aig LANGYARNS / ADDI N° 4 et 4½. Une aig circ courte N° 4. Trois boutons.

Point I:

Aig N° 4: 1 m à l'end, 1 m à l'env.

Point II:

Aig N° 4½: Jersey end = à l'end sur l'end, à l'env sur l'env.

Remarque: Dim apparentes (encolure en V): À droite = 1 m lis, 1 m à l'end, 2 m à l'end ens. À gauche = 1 surjet (gl 1 m, tric 1 m à l'end et rab la m gl par-dessus), 1 m à l'end, 1 m lis.

Échantillon: Point II, aig N° 4½

21 m = 10 cm de large. 29 rgs = 10 cm de haut.

Dos: Monter 121/139 m avec les aig N° 4. Tric au pt I en commençant par 1 m à l'end. À 3 cm du montage, cont au pt II avec les aig N° 4½ en répartissant au 1er rg 13/15 dim = 108/124 m. **Emmanchures:** À 28 cm du montage, placer une marque de ch côté et cont droit. **Épaules:** À 18/21 cm de la marque, rab de ch côté tous les 2 rgs 4x5 m + 3x6 m / 5x6 m + 2x7 m. **Encolure:** À 48/51 cm du montage, rab les 26/30 m centrales et, vers les côtés tous les 2 rgs, rab encore 1x2 m et 1x1 m sans escaliers (voir notes importantes).

Devant gauche: Monter 61/71 m avec les aig N° 4. Tric au pt I en commençant par 1 m à l'env. À 3 cm du montage, cont au pt II avec les aig N° 4½ en répartissant au 1er rg 7 dim = 54/64 m. **Encolure en V:** À 23/26 cm du montage, tric à gauche tous les 4 rgs 16x1 / altern tous les 2 + 4 rgs 13x1 et tous les 4 rgs 7x1 dim apparente (voir remarque). Marquer l'**emmanchure** à droite à la même hauteur et comme pour le dos. Biaiser l'**épaule** à droite à la même hauteur et comme pour le dos.

Devant droit: Tric symétriquement par rapport au devant gauche.

Manches: Monter 54/62 m avec les aig N° 4. Tric au pt I. À 3 cm du montage, cont au pt II avec les aig N° 4½ en répartissant au 1er rg 6/4 dim = 48/58 m. Augm 15x1 m de ch côté tous les 8 rgs = 78/86 m. Tric également les nouvelles m au pt II. **Arrondi:** À 48 cm du montage, rab de ch côté tous les 2 rgs 6x5/6 m. À 4 cm de hauteur d'arrondi, rab les m rest.

Finitions: Faire les coutures. **Patte de fermeture:** Avec l'aig circ, relever 254/270 m (= 48/54 m à partir du bas jusqu'au biais de l'encolure et vice-versa, 60 m sur les biais de l'encolure, 38/42 m au dos). Tric au pt I en commençant par 1 m lis, 1 m à l'env et en finissant symétriquement. À 2 cm de hauteur de bordure, répartir **3 boutonnières** sur la patte de fermeture **droite** comme suit: À partir du bas, tric 4 m, rab la m suiv sans la tric et monter directement 1 nouvelle m. Rép encore 2x cette boutonnière à 21/24 m d'intervalle, finir de tric le rg. À 4 cm de hauteur de bordure, rab soûplement toutes les m selon le pt. Monter les manches entre les marques du devant et du dos. Coudre les boutons.



Quality since 1867

43 Vest

Maat S–M / L–XL

Modelmaten:

Bovenwijdte 100/116 cm. Lengte 50/53 cm

Materiaal: LANGYARNS AURA (katoen, polyamide) 400/500 g = 8/10 bollen nougat 1091.0015. LANGYARNS / ADDI breinldn Nr 4 en 4½. 1 korte rondbrld Nr 4. 3 knopen.

Patroon I:

Nldn Nr 4: 1 r st, 1 av st.

Patroon II:

Nldn Nr 4½: r tricot = r op goede kant, av op av kant.

Tip: opvallende mind (v-hals): rechterkant = 1 kst, 1 r st, 2 st r samenbr. Linkerkant = 1 overhaling (1 st afh, 1 r st br en de afgehaalde st over de gebreide st halen), 1 r st, 1 kst.

Proeflapje: Patroon II, Nldn Nr 4½:

21 st = 10 cm breed. 29 nldn = 10 cm hoog

Rugpand: 121/139 st opz met nldn Nr 4. In pat I br, met 1 r st beginnen. Op 3 cm van de opzet met nldn Nr 4½ in pat II verder br, hierbij in de 1ste nld verdeeld 13/15 st mind = 108/124 st. **Armsgat:** op 28 cm van de opzet aan weersz een markering aanbrengen en recht verder br. **Schouders:** op 18/21 cm van de markering aan weersz elke 2de nld 4x5 st + 3x6 st / 5x6 st + 2x7 st afk. **Hals:** op 48/51 cm van de opzet de middelste 26/30 st afk en aan weersz hiervan elke 2de nld nog 1x2 st en 1x1 st traploos afk (zie belangrijke aanwijzingen).

Linkervoorpand: 61/71 st opz met nldn Nr 4. In pat I br, met 1 av st beginnen. Op 3 cm van de opzet met nldn Nr 4½ in pat II verder br, hierbij in de 1ste nld verdeeld 7 st mind = 54/64 st. **V-hals:** op 23/26 cm van de opzet aan de linkerkant elke 4de nld 16x1 st / afwiss elke 2de + 4de nld 13x1 st en elke 4de nld 7x1 st opvallend mind (zie tip). Het **armsgat** aan de rechterkant op gelijke hoogte en wijze als bij het rugpand markeren. De **schouder** aan de rechterkant op gelijke hoogte en wijze als bij het rugpand br.

Rechtervoorpand: als spiegelbeeld van het linkervoorpand br.

Mouwen: 54/62 st opz met nldn Nr 4. In pat I br. Op 3 cm van de opzet met nldn Nr 4½ in pat II verder br, hierbij in de 1ste nld verdeeld 6/4 st mind = 48/58 st. Voor de mouwverbreding aan weersz 15x1 st elke 8ste nld meer = 78/86 st. De nieuw gemeerderde st in pat II meebr. **Mouwkop:** op 48 cm van de opzet aan weersz elke 2de nld 6x5/6 st afk. Op 4 cm mouwkop-hoogte de overbl st afk.

Afwerking: naden sluiten. **Sluitboorden:** met de rondbrld ca 254/270 st opnemen (vanaf onderaan tot de afschuining telkens 48/54 st, elke afschuining 60 st, rugpand = 38/42 st). In pat I br, met 1 kst, 1 av st beginnen en omgekeerd eindigen. Op 2 cm boordhoogte in de **rechtersluitboord** verdeeld 3 **knoopsgaten** als volgt inbr: vanaf onderaan 4 st br, de volg st zonder werkdraad afk en meteen 1 st opnieuw opz. Dit knoopsgat om de 21/24 st nog 2x herh, de nld beëindigen. Op 4 cm boordhoogte alle st soepel in het overeenstemmend pat afk. De mouwen tussen de markeringen van de rug- en voorpanden inzetten. De knopen aannaaien.

LANG

Y A R N S



Quality since 1867

© Copyright, Lang & Co. AG, all rights reserved

Copyright & Trademarks

The authorization to use, copy and distribute this documentation is hereby granted exclusively for non-commercial use. The contents of this documentation are the sole property of Lang & Co. AG. This documentation shall not in any way constitute a right to transfer a license or other rights with respect to copyrights or trademarks of Lang & Co. AG to the recipient or to third parties.

© Copyright, Lang & Co. AG, alle Rechte vorbehalten

Urheberrechte & Marken

Die Erlaubnis zur Nutzung, Vervielfältigung und Verbreitung dieser Dokumentation wird hiermit ausschliesslich für den nicht gewerblichen Gebrauch erteilt. Die Inhalte dieser Dokumentation sind Eigentum der Lang & Co. AG. Die vorliegende Dokumentation begründet in keiner Weise die Übertragung von Lizenz- oder sonstigen Rechte in Bezug auf Urheberrechte oder Marken der Firma Lang & Co. AG an den Empfänger oder an Dritte.

© Copyright, Lang & Co. AG, tous droits réservés

Copyright et marques déposées

L'autorisation d'utiliser, copier et distribuer cette documentation est accordée exclusivement pour un usage non commercial. Le contenu de cette documentation est la propriété exclusive de Lang & Co. AG. Cette documentation ne constitue en aucune manière le droit de transférer une licence ou d'autres droits à l'égard des droits d'auteur ou des marques de Lang & Co. AG à l'acquéreur ou à des tiers.

© Copyright, Lang & Co. AG, alle rechten voorbehouden

Auteursrechten en merken

De toestemming voor gebruik, reproductie en verspreiding van deze documentatie wordt hiermee uitsluitend gegeven voor niet-commercieel gebruik. De inhoud van deze documentatie is eigendom van Lang & Co AG. De onderhavige documentatie rechtvaardigt geenszins het overdragen van licentie- of andere rechten met betrekking tot copyright of merken van de firma Lang & Co AG aan de ontvanger of aan derden.

© Copyright, Lang & Co. AG, alle rettigheder er forbeholdt.

Ophavsret & Design

Tilladelse til benyttelse, mangfoldiggørelse og udbredelse af denne dokumentation bliver hermed udelukkende tildelt for den ikke erhvervslige brug. Indholdet af denne dokumentation er Lang & Co. AG ejendom. Den foreliggende dokumentation begrundet på ingen måde overdragelse af licens eller tidligere rettigheder med hensyn til ophavsret eller Design fra firmaet Lang & Co. AG til modtager eller tredje-mand.

LANG

Y A R N S

Quality since 1867



Important notice

The working instructions are given according to size, with instructions for larger sizes given in brackets, if only one number is given it applies to all sizes.

Gauge

Knitting to the tension given is most important to ensure that the resulting garment is the correct size. Start by making a tension square: knit a piece about 15 x 15 cm (6" x 6") in the stitch pattern given for the design. Compare your piece with the gauge given in the instructions. If you find that the stitch or row count is not as given for the pattern use larger or smaller needles to achieve the required gauge.

Note: the needle and hook sizes are metric (mm), US sizes are given in brackets.

Finishing

Block pieces according to the measurements in the schematic, cover with damp cloths and leave to dry. Block again if necessary.

Sewing in threads for multi-colored knitwear

Where there is a long and irregular color repeat cut all threads to a length of approx 5 cm/2", smooth along the seam and then with sewing thread, whip st to the seam with small, close stitches.

Where there is a short and regular color repeat carry threads carefully and loosely up the edge as you knit, whenever possible do not cut threads! If cutting is necessary, lightly secure at edges.

Embroidering

When embroidering on hand-knits take care that the thread is carried loosely to avoid puckering. Embroidered motifs will look neater if a single strand is separated from the knitting yarn to give a thinner thread.

How to count knitted rows

For easy counting, mark rows by carrying a contrasting thread up the centre of the piece every 4 rows, alternately laying thread from back to front, and front to back.

A Italian cast on method for even number of sts:

Beginning with a smaller size of knitting needles than used for the rest of the garment and contrasting scrap yarn: cast on the given number of sts (= required number of sts + 1 st, divided by 2). Proceed with proper yarn. **Row 1 (RS):** 1 edge st, * k1,yo *, rep from * to *, ending with 1 edge st. **Row 2 (WS):** 1 edge st, * k the yo, sl the st that appears as a p st p-wise with yarn in front of work *, repeat from * to *, ending with 1 edge st. **Row 3 (RS) and row 4 (WS):** K the k sts, sl the p sts with yarn in front of work = double brioche rib. When piece is finished remove scrap yarn carefully.

B Italian cast on method for uneven number of sts:

Beginning with a smaller size of knitting needles than used for the rest of the garment and contrasting scrap yarn: cast on the given number of sts (= required number of sts + 1 st, divided by 2). Continue working with proper yarn. **Row 1 RS:** 1 edge st, * yo, k1 *, repeat from * to *, end with yo, 1 edge st. **Row 2 WS:** 1 edge st, * k the yo, sl the st that appears as a p st p-wise with yarn in front of work *, cont rep from * to *, end with k yo, 1 edge st. **Row 3 RS and row 4 WS:** K the k sts, sl the p sts with yarn in front of work = double brioche rib. – When piece is finished pull out the scrap yarn.

Italian binding off:

Connect the sts with a wool needle:

1. Hold needle with work in the left hand, from behind insert wool needle thru the edge and 1st k st, pull thread thru and leave sts on needle. **When knitting in rnds** only insert needle into the first k st.
2. Again insert wool needle thru the edge st, then in the foll p st insert wool needle from front to back, pull thread thru, let only the edge st sl from knitting needle. **When working in rnds** only insert into the first p st.
3. Again insert wool needle thru the previous k st, but this time from front to back, let st sl from knitting needle. Insert from back to front in the foll k st, leave st on knitting needle.
4. Then insert into the previous p st from back and insert into the foll p st from the front, at the same time always sl only the first st from knitting needle.
3. + 4. Cont rep until end of row. **When knitting in rnds:** Rep 3 + 4 cont until end of rnd, at the last 2 sts insert first insert knitting needle again into the sts that were bound off first.

Tips on binding off/decreasing

Nearly invisible and well executed decreases make finishing easier and give your knitwear a professional look.

Decreasing is always done on the right side of work.

Dec k sts: At the beg of row after the edge st, k2 tog, at the end of row before the edge st sl 1, k1, pss0.

Dec p sts: At the beg of row after the edge st p2tog tbl (insert needle thru st from back), at the end of the row and before the edge st, p2tog.

Seamless binding off

Do not knit the last st of the row. Turn work, sl first st and sl the unworked st over this st. Bind off additional sts in the usual way.

Zipper band

(Make 2): With double pointed needles cast on 3 or 4 sts. Alternating on WS p all sts and on RS k all sts. As soon as the band is as long as the zipper when slightly stretched leave sts on a st holder with some yarn in reserve. With sewing thread sew the bands over the material of the zipper, adjusting the length as necessary and bind off.

Jacquard pattern

When knitting in jacquard pattern work with more balls of yarn or carry strands of yarn loosely along on the WS, crossing them when you changing colour. If the resulting floats are too loose, tie off yarn or weave in.

LANG

Y A R N S



Quality since 1867

Size chart

The sizing of our patterns is according to the measurements shown in the tables, giving the necessary width and length in cm. These are body measurements without any additions. As a rule the measurements of most importance for sweaters and cardigans would be the bust; for skirts, long jackets and coats the hips will also be taken into account.

The measurements given in the pattern schematics, on the other hand, allow for ease and comfortable fit of the garment. Due to the huge variety in fashion styles these figures may vary greatly depending upon the design. So, for example, the measurements given for a top or tight-fitting, figure-hugging sweater will be quite small, but will be larger for an over-sized fit.

Ladies (Height 168 cm)

Sizes (European sizes)		XS	S	M	M	L	L	XL	XL	XXL	XXL	3XL	3XL
		34	36	38	40	42	44	46	48	50	52	54	56
Bust	cm	80	84	88	92	96	100	104	110	116	122	128	134
Waist	cm	62	66	70	74	78	82	86	92	98	104	110	116
Hips	cm	86	90	94	98	102	106	110	116	122	128	134	140
Back length	cm	41	41	41	41	41	41	41	41	41	41	41	41
Shoulder width	cm	12	12	12	13	13	13	13	14	14	14	16	16
Sleeve length	cm	60	60	60	60	60	60	60	60	60	60	60	60
Upper arm	cm	26	27	28	29	30	31	32	34	36	38	40	42

Children

Ready to wear sizes / height

		98	104	110	116	122	128	134	140	146	152	158	164
Chest	cm	57	58	59	60	62	64	66	68	72	76	80	84
Waist	cm	53	54	55	56	57	58	59	61	63	65	67	69
Hips	cm	59	61	63	65	67	69	72	74	78	82	86	90
Back length	cm	24	25	26	27	29	30	31	32	34	36	38	40
Sleeve length	cm	33	36	38	41	43	46	48	51	53	55	57	59
Neck	cm	27	28	28	29	30	30	31	31	32	33	34	35

Baby

Sizes		50	56	62	68	74	80	86	92
Body length	cm	50	56	62	68	74	80	86	92
Chest	cm	42	45	47	49	51	53	55	56
Hips	cm	44	46	48	50	52	54	56	57.6
Back length	cm	14.1	15.3	16.5	17.7	18.9	20.1	21.3	22.5
Sleeve length	cm	15	16	18.5	21	23.5	26	28.5	31
Outer leg seam	cm	24	31	34.5	38	41.5	45	49.5	49.5

Men (Height 180 cm)

Sizes (European sizes)		S	S	M	M	L	L	XL	XL	XXL
		44	46	48	50	52	54	56	58	60
Chest	cm	88	92	96	100	104	108	112	116	120
Waist	cm	78	82	86	90	94	98	104	110	116
Back length	cm	49	49	49	49	49	49	49	49	49
Sleeve length	cm	64	64	64	64	64	64	64	64	64
Neck	cm	37	38	39	40	41	42	43	44	45

LANG

Y A R N S



Quality since 1867

Abbreviations

acc	= according / accordingly
alt	= alternate
beg	= begin / beginning
ch sp	= chain space
ch st	= chain stitch
cm	= centimeter
cont	= continue / continuing
dc	= double crochet
dec	= decrease / decreasing
dpns	= double pointed needles
foll	= follows / following
g	= grams
hdc	= half double crochet
"	= inch / inches
inc	= increase / increasing
k	= knit
m	= meter / meters
mm	= millimeter / millimeters
MC	= main color
p	= purl
pat	= pattern
psso	= pass slip stitch / stitches over
rem	= remain / remaining
rep	= repeat
resp	= respectively
rnd(s)	= round / rounds
RS	= right side
sc	= single crochet
sl	= slip
sl st	= slip stitch
sp(s)	= space / spaces
st(s)	= stitch / stitches
St st	= Stockinette stitch
tbl	= through back loop
tog	= together
work even	= continue working in the established pattern over the same number of stitches without increasing or decreasing
WS	= wrong side
wyib	= with yarn at back of work
wyif	= with yarn in front
yo	= yarn over
*	= repeat from *

Textiles care symbols



Very mild fine wash. Articles made, e.g. of machine-washable wool. This washing cycle ensures a much reduced mechanical treatment. Select an appropriate washing program. Reduce the quantity of laundry substantially.



Do not bleach. The triangle with a diagonal cross (St. Andrews Cross) indicates that bleaching is not allowed. Use only bleach-free detergent.



Do not dry. Articles unsuitable for drying.



Iron at low temperature. Iron at maximum sole plate temperature of 110 °C. Corresponding to the «Polyacryl, polyamide (nylon), acetate» setting; if necessary, shiny or pressure-sensitive pieces should be ironed with a press cloth or inside out. Caution when using steam irons (as a rule, work without steam).



Professional dry-cleaning in: perchloroethylene, hydrocarbons. Normal cleaning process with no restrictions. Commercial stain removers on a solvent base may be used with some restrictions. A trial on a concealed part of the article is advisable beforehand.

CONVERTING-TABLE METRIC-SIZES/INCHES

slightly rounded, cm = centimeters

cm	Inches	cm	Inches
0.3	1/8	48.5	19
0.6	1/4	51	20
1	3/8	53.5	21
1.3	1/2	56	22
1.5	5/8	58.5	23
2	3/4	61	24
2.2	7/8	63.5	25
2.5	1	66	26
3.2	1 1/4	68.5	27
3.8	1 1/2	71	28
4.5	1 3/4	73.5	29
5	2	76	30
6.5	2 1/2	79	31
7.5	3	81.5	32
9	3 1/2	84	33
10	4	86.5	34
11.5	4 1/2	89	35
12.5	5	91.5	36
14	5 1/2	94	37
15	6	96.5	38
18	7	99	39
20.5	8	101.5	40
23	9	104	41
25.5	10	106.5	42
28	11	109	43
30.5	12	112	44
33	13	114.5	45
35.5	14	117	46
38	15	119.5	47
40.5	16	122	48
43	17	124.5	49
46	18	127	50

Knitting needles

US-Sizes	0	1	1.5	2	2.5	3	4	5	6	7	8	9	10	10.5	10.5	11	13	15	17	19	36	50	
Metric	2	2.25	2.5	2.75	3	3.25	3.5	3.75	4	4.5	5	5.5	6	6.5	7	8	9	10	12	15	20	25	
UK-Sizes	14	13		12	11	10		9	8	7	6	5	4	3	2	0	00	000					

Crochet hooks

US-Sizes	0	B-1		C-2		D-3	E-4	F-5	G-6	7	H-8	I-9	J-10	K-10.5	K-10.5	L-11	M-13	N-15	P-16
Metric	2	2.25	2.5	2.75	3	3.25	3.5	3.75	4	4.5	5	5.5	6	6.5	7	8	9	10	15
UK-Sizes	14	13	12	12	11	10	9	9	8	7	6	5	4	3	2	0	00	000	-

LANG

Y A R N S



Quality since 1867

Wichtige Hinweise:

Die Angaben sind jeweils der Grösse nach aufgeführt, getrennt durch Schrägstrich. Sofern nur eine Zahl notiert ist, gilt diese für alle Grössen.

Die Maschenprobe

Das Wichtigste für ein gutes Gelingen Ihrer Strickarbeit ist das Einhalten der in der Strickanleitung angegebenen Maschenprobe. Stricken Sie, vor Beginn Ihrer Arbeit, ein Stück von ca. 15 x 15 cm in dem für das Modell beschriebenen Muster. Vergleichen Sie nun Ihr Resultat mit der in der Anleitung angegebenen Maschenprobe. Bei abweichendem Ergebnis sollten Sie entweder gröbere oder feinere Nadeln verwenden, um auf jeden Fall die Maschenprobe der Anleitung zu erhalten.

Ausarbeiten

Die Teile den Massen entsprechend aufstecken, feuchte Tücher darüberlegen und so trocknen lassen. Zuletzt das fertige Strickmodell evtl. nochmals in Form spannen.

Fäden vernähen bei vielfarbigen Stricksachen:

Bei langen und unregelmässigen Farbrapporten alle Fäden auf ca. 5 cm Länge kürzen, der Naht entlang glattstreichen und mit nahe beieinander liegenden Überwendlingsstichen mit Nähfäden an die Strickkanten nähen.

Bei kurzen und regelmässigen Farbrapporten die Fäden sorgfältig und locker am Arbeitsrand mitführen, wenn immer möglich nicht abschneiden! Evtl leicht an den Kanten befestigen.

Sticken

Beim Sticken auf Handgestricktem darauf achten, dass die Fäden locker geführt werden. Maschenstichmotive werden schöner in der Fläche, wenn aus dem Stickfaden ein Fach herausgezogen wird.

Zählen der gestrickten R

Einen andersfarbenen Faden stets nach 4 gestrickten R in der Mitte des Strickstückes abw 1x nach vorne, 1x nach hinten legen.

A Italienisch Anschlagen für gerade Maschenzahl:

Mit feineren Strick-N und einem Rest kontrastfarbenem Garn die angegebene M-zahl anschl (benötigte M-zahl plus 2 M, geteilt durch 2). Mit Originalgarn weiterarb. **1. R Vorders:** 1 Rdm, *1 M re, 1 U*, von * zu * fortl wdh, enden mit 1 Rdm. **2. R Rück:** 1 Rdm, *den U re abstr, die li erscheinende M li abh mit dem Faden vor der Arb*, von * zu * fortl wdh, enden mit 1 Rdm. **3. R Vorders + 4. R Rück:** die re erscheinenden M re abstr, die li erscheinenden M li abh mit dem Faden vor der Arb = **Doppelpatent**. – Am fertig gestr Teil das Kontrastgarn lösen.

B Italienisch Anschlagen für ungerade Maschenzahl:

Mit feineren Strick-N und einem Rest kontrastfarbenem Garn die angegebene MZahl anschl (benötigte M-zahl plus 1 M, geteilt durch 2). Mit Originalgarn weiterarb. **1. R Vorders:** 1 Rdm, *1 U, 1 M re*, von * zu * fortl wdh, enden mit 1 U, 1 Rdm. **2. R Rück:** 1 Rdm, *den U re abstr, die li erscheinende M li abh mit dem Faden vor der Arb*, von * zu * fortl wdh, enden mit 1 U re str, 1 Rdm. **3. R Vorders + 4. R Rück:** die re erscheinenden M re abstr, die li erscheinenden M li abh mit dem Faden vor der Arb = **Doppelpatent**. – Am fertig gestr Teil das Kontrastgarn lösen.

Italienisch abketten:

Die M mit der Sticknadel im Maschenstich verbinden:

1. Die N mit der Arbeit in der li Hand halten, mit der Sticknadel in die Rdm und in die 1. re-M von hinten einstecken, Faden durchziehen, M auf der N lassen. **Beim Rundstr** nur in die 1. re-M einstecken.
2. Mit der Sticknadel nochmals in die Rdm, dann in die folg li-M von vorne nach hinten einstecken, Faden durchziehen, nur die Rdm von der N gleiten lassen. **Beim Rundstr** nur in die 1. li-M einstecken.
3. Wieder in die vorhergehende re-M einstecken, diesmal jedoch von vorne nach hinten, die M von der N gleiten lassen. Von hinten nach vorne in die folg re-M einstecken, M auf der N lassen.
4. Nun in die vorhergehende li-M von hinten und in die folg li-M von vorne einstecken, dabei immer nur die erste M von der Strick-N gleiten lassen.
3. + 4. bis zum Reihende fortl wdh. **Beim Rundstr: 3. + 4.** bis zum Rundenende fortl wdh, bei den letzten beiden M nochmals in die beiden zuerst abketteten M einstecken.

Tipps zum Abnehmen/Abketten

Schöne und beinahe unsichtbare Abn erleichtern das Ausarbeiten und verleihen Ihren fertigen Stricksachen ein edles, konfektionsmässiges Aussehen:

Die Abnehmen werden immer auf der Vorders gearb.

Abn bei re-M: am R-Anfang nach der Rdm 2 M re zus-str, am R-Ende vor der Rdm 1 übz Abn arb.

Abn bei li-M: am R-Anfang nach der Rdm 2 M li verschr zus-str, am R-Ende vor der Rdm 2 M li zus-str.

Stufenloses Abketten

Die letzte M der R nicht abstr. Die Arb wenden, die 1. M der li N abh und die nicht gestr M der Vor-R über die abgeh M ziehen. Die weiteren M wie gewohnt abk.

Reissverschlussblende

(2x arb): Anschl 3 oder 4 M mit Spiel-N. Abw auf der Rück alle M li, auf der Vorders alle M re str. Sobald die Blende leicht gedehnt die Reissverschlusslänge erreicht, die M mit etwas Garnreserve liegen lassen. Die Blenden auf der Innenseite mit Nähfäden über das Stoffteil des Reissverschlusses nähen, dabei die Länge regulieren und die M abk.

Jacquardmuster

Beim Jacquardmuster mit mehreren Knäueln arbeiten oder die Fäden auf der Rückseite locker mitführen und beim Farbwechsel kreuzen. Wenn zu lange Flottierungen entstehen, die Fäden abbinden, resp. einweben.

LANG

Y A R N S



Quality since 1867

Grössentabelle

Die Grössenangaben unserer Modelle richten sich nach der Masstabelle, in der für jede Grösse die notwendigen Breiten- und Längenmasse in Zentimetern aufgelistet sind. Dabei handelt es sich um Körpermasse ohne Zugaben. Das wichtigste Mass für Pullis und Jacken ist in der Regel die Oberweite, für Röcke, lange Jacken und Mäntel wird auch die Hüftweite berücksichtigt.

Im Unterschied zu den Tabellenmassen enthalten die Masse der Schnittschemas bereits die für einen bequemen Tragekomfort des Kleidungsstücks nötigen Zugaben. Durch die modische Vielfalt der Designs sind diese Zugaben bei den einzelnen Modellen sehr unterschiedlich. So wird beispielsweise bei einem Top oder einem eng anliegenden, figurbetonen Pulli die Zugabe nur ganz gering, bei einem Oversized-Schnitt grösser ausfallen.

Damen (Körpergrösse 168 cm)

Grössen		XS	S	M	M	L	L	XL	XL	XXL	XXL	3XL	3XL
		34	36	38	40	42	44	46	48	50	52	54	56
Oberweite	cm	80	84	88	92	96	100	104	110	116	122	128	134
Taillenweite	cm	62	66	70	74	78	82	86	92	98	104	110	116
Hüftweite	cm	86	90	94	98	102	106	110	116	122	128	134	140
Rückenlänge	cm	41	41	41	41	41	41	41	41	41	41	41	41
Schulterbreite	cm	12	12	12	13	13	13	13	14	14	14	16	16
Ärmellänge	cm	60	60	60	60	60	60	60	60	60	60	60	60
Oberarmweite	cm	26	27	28	29	30	31	32	34	36	38	40	42

Kinder

Konfektions- und Körpergrösse		98	104	110	116	122	128	134	140	146	152	158	164
Oberweite	cm	57	58	59	60	62	64	66	68	72	76	80	84
Taillenweite	cm	53	54	55	56	57	58	59	61	63	65	67	69
Hüftweite	cm	59	61	63	65	67	69	72	74	78	82	86	90
Rückenlänge	cm	24	25	26	27	29	30	31	32	34	36	38	40
Ärmellänge	cm	33	36	38	41	43	46	48	51	53	55	57	59
Halsweite	cm	27	28	28	29	30	30	31	31	32	33	34	35

Baby

Grössen		50	56	62	68	74	80	86	92
Körperhöhe	cm	50	56	62	68	74	80	86	92
Oberweite	cm	42	45	47	49	51	53	55	56
Hüftweite	cm	44	46	48	50	52	54	56	57.6
Rückenlänge	cm	14.1	15.3	16.5	17.7	18.9	20.1	21.3	22.5
Ärmellänge	cm	15	16	18.5	21	23.5	26	28.5	31
Seitl. Hosnlänge	cm	24	31	34.5	38	41.5	45	49.5	49.5

Herren (Körpergrösse 180 cm)

Grössen		S	S	M	M	L	L	XL	XL	XXL
		44	46	48	50	52	54	56	58	60
Oberweite	cm	88	92	96	100	104	108	112	116	120
Bundweite	cm	78	82	86	90	94	98	104	110	116
Rückenlänge	cm	49	49	49	49	49	49	49	49	49
Ärmellänge	cm	64	64	64	64	64	64	64	64	64
Halsweite	cm	37	38	39	40	41	42	43	44	45

LANG

Y A R N S



Quality since 1867

Abkürzungen

Abb	= Abbildung
abh	= abheben
abk / Abk	= abketten / Abketten
abn / Abn	= abnehmen / Abnehmen
abstr	= abstricken
abw	= abwechselnd
anschl / Anschl	= anschlagen / Anschlag
Anz	= Anzahl
arb / Arb	= arbeiten / Arbeit
aufn / Aufn	= aufnehmen / Aufnehmen
beids	= beidseitig
Bg	= Bogen
bzw	= beziehungsweise
cm	= Zentimeter
dh	= das heisst
dopp	= doppelt
D-Stb	= Doppelstäbchen
evtl	= eventuell
fM	= feste Masche
folg	= folgende
fortl	= fortlaufend
g	= Gramm
gem	= gemäss
gestr	= Gestrickt
häk	= häkeln
hStb	= halbes Stäbchen
inkl	= inklusiv
KM	= Kettenmasche
Lftm	= Luftmasche
Lftmbg	= Luftmaschenbogen
li	= links / linke
M	= Masche
M-glied	= Maschenglied
M-stich	= Maschenstich
M-zahl	= Maschenzahl
N	= Nadel
Nr.	= Nummer
Rdm	= Randmasche
R	= Reihe
Rd	= Runde
re	= rechts / rechte
restl	= restliche
Rücks	= Rückseite
Schl	= Schlinge
seitl	= seitliche / seitlichen
sep	= separat
Stb	= Stäbchen
str	= stricken
übz Abn	= überzogenes Abnehmen
U	= Umschlag
usw	= und so weiter
verschr	= verschränkt
vert	= verteilt
Vorders	= Vorderseite
weiterarb	= weiterarbeiten
wdh	= wiederholen
*	= Wiederholungszeichen
x	= Malzeichen
zB	= zum Beispiel
zus	= zusammen
zW	= zum Wenden

Pflegezeichen



Sehr schonender Prozess: Feinwäsche beispielsweise aus maschinenwaschbarer Wolle. Dieser Waschgang weist eine besonders schonende mechanische Behandlung auf. Wäschemenge stark reduzieren. Trommel nur bis zu einem Drittel füllen.



Nicht Bleichen. Das durchgestrichene Dreieck symbolisiert, dass Bleichen nicht möglich ist. Nur bleichmittelfreie Waschmittel verwenden.



Nicht im Tumbler trocknen. Artikel für Tumbler-trocknung nicht geeignet.



Nicht heiss bügeln. Bügeln mit einer Höchsttemperatur der Bügeleisensole von 110° C entspricht Stufe «Polyacryl, Polyamid (Nylon), Acetat»: Glanz- oder druckempfindliche Artikel auf der Rückseite bügeln. Nicht verziehen. Keinen Dampf verwenden.



Professionelle Chemischreinigung mit folgenden Lösemitteln: Perchlorethylen und/oder Kohlenwasserstoffen. Normaler Reinigungsprozess ohne Einschränkung



Notes importantes

Les indications données dans l'ordre des tailles sont séparées par une barre oblique. S'il n'y a qu'un chiffre, celui-ci est valable pour toutes les tailles.

Échantillon du point et grosseur des aiguilles

La condition principale pour un modèle réussi est de respecter exactement les données de l'échantillon. Avant de commencer votre ouvrage, tricotez une pièce (15 x 15 cm) au point indiqué. Mesurez-le ensuite et comparez votre résultat aux données de l'échantillon. Si vous constatez une différence, recommencez avec des aiguilles plus ou moins grosses pour obtenir un échantillon identique.

Assemblage

Épingler les pièces d'après les mesures, recouvrir d'un linge humide et laisser sécher. Répéter l'opération une fois les pièces assemblées.

Arrêter les fils (d'ouvrages multicolores)

Pour de larges rayures ou des changements de coloris irréguliers, couper tous les fils pour avoir des bouts d'environ 5 cm, les lisser le long de la couture et, avec du fil à coudre, les fixer à points de surjet rapprochés le long de la lisière du tricot.

Quand les rayures sont fines et régulières, faire suivre doucement les fils inemployés le long de la lisière, si possible sans les couper! Les fixer doucement à la lisière si nécessaire.

Broder

Broder sur le tricot en prenant soin de travailler doucement, sans trop tirer sur le fil. Les motifs au point de maille sont plus beaux et réguliers si un brin a été retiré du fil à broder au préalable.

Compter les rangs tricotés

Tous les 4 rangs, passer un fil contrastant au milieu du tricot entre les aiguilles en alternant 1x par devant, 1x par derrière.

Montage à l'italienne

A Pour un nombre de mailles pair:

Avec des aig à tric plus fines que celles utilisées pour le tricot, monter le nombre de m indiqué avec un fil de couleur contrastante (nombre de m nécessaires plus 2 m, divisé par 2). Cont avec le fil du trav. **1er rg sur l'end:** 1 m lis, *1 m end, 1 jeté*, rép tjrs de * à *; finir par 1 m lis. **2e rg sur l'env:** 1 m lis, *tric le jeté à l'end, gl la m env à l'env en passant le fil devant l'ouvrage*, rép de * à *; finir par 1 m lis. **3e rg sur l'end + 4e rg sur l'env:** tric ch m end à l'end et gl les m env à l'env, fil devant l'ouvrage = **cf. tricot double face** (utilisé en général pour les chaussons de lit) – Une fois la pièce entièrement tric, défaire le rg en fil contrastant.

B Pour un nombre de mailles impair:

Avec des aig plus fines, monter le nombre de m indiqué avec un fil de couleur contrastante (nombre de m nécessaires plus 1 m, divisé par 2). Cont avec le fil de trav. **1er rg sur l'end:** 1 m lis, *1 jeté, 1 m end*, rép tjrs de * à *; finir par 1 jeté, 1 m lis. **2e rg sur l'env:** 1 m lis, *tric le jeté à l'end, gl la m env à l'env avec le fil devant l'ouvrage*, rép tjrs de * à *; finir en tric le jeté à l'end, 1 m lis. **3e rg sur l'end + 4e rg sur l'env:** tric ch m end à l'end et gl les m env à l'env avec le fil devant l'ouvrage = **cf. tricot double face**. Une fois la pièce entièrement tric, défaire le rg en fil contrastant.

Rabattre les mailles à l'italienne

Rabattre les m au pt de grafting à l'aide d'une aig à tapisserie:

1. Tenir l'ouvrage de la main gauche et, avec l'aig à tapisserie, piquer **par derrière** dans la m lis et la 1re m end, tirer sur le fil, laisser les m sur l'aig à tric. Pour le tricot en rond, ne piquer que dans la 1re m end.
2. Depuis l'**avant**, piquer de nouveau dans la m lis puis dans la m env suiv, tirer sur le fil et faire tomber la m lis de l'aig à tric. Pour le **tricot en rond**, piquer dans la 1re m env.
3. Revenir de nouveau dans la m end précédente en piquant cependant d'avant en arrière et la faire tomber de l'aig à tric. Piquer d'arrière en avant dans la m end suiv et laisser cette m sur l'aig à tric.
4. Revenir dans la m env précédente en piquant depuis l'arrière puis piquer dans la m env suiv depuis l'avant, faire tjrs tomber la première de ces m de l'aig à tric.
3. + 4.: rép les étapes 3 + 4 jusqu'à la fin du rg. **Tricot en rond:** rép les étapes 3 + 4 jusqu'à la fin du tour, piquer cependant de nouveau dans les 2 premières m rabattues en fermant les 2 dernières m.

Astuces pour diminuer/rabattre

De belles diminutions pratiquement invisibles facilitent la finition d'un ouvrage et lui confèrent l'aspect soigné du fait main professionnel. Toujours diminuer sur l'end.

Dim dans les m end: au début du rg, tric la m lis, 2 m ens à l'end; à la fin du rg, faire 1 surjet, tric la m lis.

Dim dans les m env: au début du rg, tric la m lis, 2 m ens à l'env en les tordant; à la fin du rg, tric 2 m ens à l'env, tric la m lis.

Rabattre les mailles sans escaliers

Pour rab les m sans «escaliers», ne pas tric la dernière m du rg, tourner l'ouvrage, gl la 1re m de l'aig gauche et rab la m non tric du rg précédent sur cette m gl. Rab les m suiv normalement.

Pattes de la fermeture à glissière (tric 2x)

Monter 3 ou 4 m sur une aig à deux pointes. Tric altern à l'env sur l'env et à l'end sur l'end. Dès que la patte légèrement étirée est de même longueur que la glissière, mettre les m en attente avec un reste de fil. Coudre les pattes sur l'env de l'ouvrage, sur la partie textile de l'a fermeture à glissière (avec du fil à coudre), régler la longueur et rab les m.

Motif de jacquard

Tricoter le motif de jacquard avec plusieurs pelotes ou faire suivre doucement les fils sur l'envers du travail et les croiser lors du changement de couleur. Si les fils flottés sont trop longs, les intégrer dans l'ouvrage en les tissant dans les mailles.

LANG

Y A R N S



Quality since 1867

Tableau des tailles

Les indications sur les tailles de nos modèles se réfèrent au tableau des tailles dans lequel sont indiquées en cm les mesures de la hauteur et de la largeur nécessaires pour chaque taille. Il s'agit de mensurations sans marges. La mesure la plus importante pour les pulls et les gilets est en général celle du tour de poitrine; pour les jupes, les gilets longs et les manteaux celle du tour de hanches est également prise en compte.

À la différence des mesures du tableau, les mesures des schémas comprennent les marges nécessaires pour être à l'aise dans le vêtement. En raison de la diversité des créations, ces marges peuvent fortement varier d'un modèle à l'autre. Les marges pour un haut ou un pull près du corps par exemple seront bien différentes de celles d'une coupe oversize forcément plus importantes.

Femme (stature 168 cm)

Tailles		XS	S	M	M	L	L	XL	XL	XXL	XXL	3XL	3XL
		34	36	38	40	42	44	46	48	50	52	54	56
Tour de poitrine	cm	80	84	88	92	96	100	104	110	116	122	128	134
Tour de taille	cm	62	66	70	74	78	82	86	92	98	104	110	116
Tour de hanches	cm	86	90	94	98	102	106	110	116	122	128	134	140
Hauteur dos	cm	41	41	41	41	41	41	41	41	41	41	41	41
Largeur d'épaules	cm	12	12	12	13	13	13	13	14	14	14	16	16
Longueur de manche	cm	60	60	60	60	60	60	60	60	60	60	60	60
Tour de bras	cm	26	27	28	29	30	31	32	34	36	38	40	42

Enfant

Taille de confection / stature		98	104	110	116	122	128	134	140	146	152	158	164
Tour de poitrine	cm	57	58	59	60	62	64	66	68	72	76	80	84
Tour de taille	cm	53	54	55	56	57	58	59	61	63	65	67	69
Tour de hanches	cm	59	61	63	65	67	69	72	74	78	82	86	90
Hauteur dos	cm	24	25	26	27	29	30	31	32	34	36	38	40
Longueur de manche	cm	33	36	38	41	43	46	48	51	53	55	57	59
Tour de cou	cm	27	28	28	29	30	30	31	31	32	33	34	35

Bébé

Tailles		50	56	62	68	74	80	86	92
Stature	cm	50	56	62	68	74	80	86	92
Tour de poitrine	cm	42	45	47	49	51	53	55	56
Tour de hanches	cm	44	46	48	50	52	54	56	57,6
Hauteur dos	cm	14,1	15,3	16,5	17,7	18,9	20,1	21,3	22,5
Longueur de manche	cm	15	16	18,5	21	23,5	26	28,5	31
Longueur pantalon (côté)	cm	24	31	34,5	38	41,5	45	49,5	49,5

Homme (stature 180 cm)

Tailles		S	S	M	M	L	L	XL	XL	XXL
		44	46	48	50	52	54	56	58	60
Tour de poitrine	cm	88	92	96	100	104	108	112	116	120
Tour de taille	cm	78	82	86	90	94	98	104	110	116
Hauteur dos	cm	49	49	49	49	49	49	49	49	49
Longueur de manche	cm	64	64	64	64	64	64	64	64	64
Tour de cou	cm	37	38	39	40	41	42	43	44	45

LANG

Y A R N S



Quality since 1867

Abréviations

aig	= aiguille(s)
altern	= alternativement
arc.	= arceau(x)
augm	= augmenter / augmentation(s)
auxil	= auxiliaire(s)
br	= bride(s)
c-à-d	= c'est-à-dire
ch	= chacun(e) / chaque
cm	= centimètre(s)
cont	= continuer
croch	= crocheter
dbr	= demi-bride(s)
dble(s) br	= double(s) bride(s)
dim	= diminuer / diminution(s)
end	= endroit
ens	= ensemble
env	= envers
env.	= environ
fs ou x	= fois
fig	= figure
gl	= glisser
g	= gramme(s)
lis	= lisière
m	= maille(s)
m c	= maille(s) coulée(s)
m ch	= maille(s) chaînette(s)
m s	= maille(s) serrée(s)
N°	= numéro
pel	= pelote(s)
préc	= précédent(e)(s)
pt(s)	= point(s)
rab	= rabattre
rg(s)	= rang(s)
rép	= répéter
repr	= reprendre
rest	= restant(e)(s)
sép	= séparer / séparément
suiv	= suivant(e)(s)
tot	= total
tjrs	= toujours
t	= tour(s)
trav	= travail / travailler
tric	= tricoter
*	= signe de reprise

Symboles d'entretien des textiles



Linge délicat. Articles en laine lavables à la machine par exemple. Les sollicitations mécaniques de ce programme sont particulièrement douces. Réduire fortement la quantité de linge. Lancer le programme correspondant.



Blanchiment interdit. Le triangle barré exclut tout blanchiment. Utiliser seulement des produits de lessive exempts d'agents de blanchiment.



Séchage en machine interdit. Articles ne pouvant supporter le séchage dans un sèche-linge à tambour rotatif.



Repassage à basse température. Correspondant aux polyacryliques, au polyamide (nylon) et à l'acétate. Articles sensibles au brillant ou à la pression: intercaler un linge sec entre le fer et l'ouvrage ou repasser à l'envers, en veillant à ne pas déformer l'ouvrage. Attention lors de l'utilisation d'un fer à vapeur (repasser de préférence sans vapeur).



Nettoyage à sec au perchloréthylène ou aux hydrocarbures. Processus normal, sans restriction. Usage restreint de détachants du commerce à base de solvants. Essai préalable recommandé sur une partie invisible de l'ouvrage.

LANG

Y A R N S



Quality since 1867

Belangrijke aanwijzingen:

De aanwijzingen voor de verschillende maten worden door een schuin streepje / gescheiden. Als er maar één cijfer wordt opgegeven, geldt dit voor alle maten.

Proeflapje en naaldendikte

Het succes van uw werkstuk wordt voor een heel groot deel bepaald door het juist volgen van de gegevens van uw proeflapje. Voor u met het werk begint, brei 15 x 15 cm in het opgegeven patroon. Vervolgens meten en uw resultaten vergelijken met de gegevens van het model proeflapje. Bij verschillen, probeert u het met dunnere of dikkere naalden tot u een identiek proeflapje krijgt.

In elkaar zetten

De verschillende delen volgens maat opspelden, bedekken met een vochtige doek en laten drogen. Na in elkaar zetten, afgewerkt stuk eventueel opnieuw op maat spelden.

Vastnaaien van draadjes bij veelkleurig breiwerk:

Voor brede strepen en onregelmatige kleurher-halingen, knip alle draadjes op een lengte van 5 cm. Naai ze vervolgens met gewone stik-zij, in de lengte langs de zijnaden vast.

Bij smalle strepen en regelmatige kleurherhalingen, de draad niet knippen, maar soepel laten volgen aan rand van het breiwerk. Bij afwerking eventueel licht bevestigen aan zijnaad.

Borduren

Bij opborduren van motieven ervoor zorgen soepel te werken, en niet te hard aan de draad te trekken. Gemaasde motieven zijn mooier en regelmatig, als er uit het borduurgaren, 1 draadje wordt getrokken.

Tellen van gebreide rijen

Een anderskleurige draad nemen en in het midden van het gebreide stuk, deze draad om de vier rijen 1x naar voren brengen, en 1x naar achteren.

A Italiaanse opzet voor een even paar steken:

Met dunnere naalden en een restje draad in een contrasterende kleur, het aantal opgegeven steken opzetten (het aantal benodigde st + 2, gedeeld door 2). Verder gaan met de werkdraad: eerste rij op goede kant werk: 1 kantst * 1 st r, 1 omslag* altijd * tot * herhalen en eindigen met 1 kantst. Tweede rij op achterkant werk: 1 kantst * de omslag r breien, de av st av afhalen terwijl de draad voor het werk houden * altijd * tot * herhalen eindigen met 1 kantst. Derde rij op goede kant en vierde rij op averechtse kant: elke r st r breien en de av st av afhalen met draad voor het werk = dubbele patent. Bij het beëindigen van het werk contrasterende draad verwijderen.

B Italiaanse opzet voor een oneven paar steken:

Met dunnere naalden, het aantal opgegeven steken opzetten (het aantal benodigde st + 1, gedeeld door 2) met een restje draad in een contrasterende kleur. Verder gaan met de werkdraad: eerste rij op goede kant werk: 1 kantst * 1 omslag, 1 st r* altijd * tot * blijven herhalen en eindigen met 1 omslag en 1 kantst. Tweede rij op achterkant werk: 1 kantst * de omslag r breien, de av st av afhalen terwijl de draad voor het werk houden * altijd * tot * herhalen eindigen met 1 omslag r breien en 1 kantst. Derde rij op goede kant en vierde rij op averechtse kant: elke r st r breien en de av st av afhalen met draad voor het werk = dubbele patent. Bij het beëindigen van het werk contrasterende draad verwijderen.

Italiaans afkanten:

Steken samenmaken met behulp van een maasnaald:

1. Het werk op de breinaald in de linkerhand houden, met maasnaald achteraan in de kantst en eerste st rechts steken, de draad aantrekken maar de st op de breinaald laten. Voor het rondbreiwerk enkel in de eerste r st steken.
 2. Vanaf de voorkant, opnieuw in de kantst st en dan in de volgende av st, aan de draad trekken en de kantst van de naald laten vallen. Voor het rondbreiwerk, in de eerste av st steken.
 3. Opnieuw teruggaan naar de voorgaande r st en nu van voren naar achter steken in de st en ze van de naald laten vallen. In de volgende r st van achter naar voor steken, deze st op de breinaald laten.
 4. Terugkomen in de voorgaande av st langs achter steken daarna in de volgende av steek vanaf voorkant steken, altijd de eerste van deze steken van de breinaald laten vallen.
3. + 4. De punten 3 en 4 herhalen tot op einde van de rij. Voor het rondbreien de punten 3 en 4 herhalen tot op einde van de toer, en dan nogmaals in de twee eerste afgekante st met de naald st en zo de laatste twee st afkanten.

Tips voor minderingen/afkanten

Mooie en bijna onzichtbare minderingen zorgen ervoor dat de afwerking makkelijker wordt en dat uw breiwerk een hoogkwalitatief confectie-uitzicht krijgt.

De minderingen worden altijd op goede kant gebreid.

Mindingen bij rechtse st: bij begin rij na de kst 2 st r samenbr, op einde rij voor de kst een overhaling (1 st afh, 1 st r br, afgeh st over gebr st halen) maken.

Mindingen bij av st: bij begin rij 2 st av gedr samenbr, op einde rij voor de kst 2 st av samenbr.

Traploos afkanten

De laatste st van de r niet br. Het werk draaien, de 1st st van de linkernd afh en de niet gebr st van de voorgaande nld over de afgeh st halen. De verdere st gewoon afk.

Ritszoompjes

(2x br): 3 of 4 st opz met tweepuntige nldn. Afwiss op av kant alle st av, op goede kant alle st r br. Zodra de zoompjes licht gerokken even lang zijn als de rits, de st met wat draadreserve laten liggen. De zoompjes op de binnenkant met naaidraad vastnaaien over het stofgedeelte van de rits, de lengte aanpassen en de st afk.

Jacquardpatronen

Bij jacquardpatronen met verschillende kluwen de draden op de av zijde soepel meevoeren en kruisen bij de kleurwissel. Als er te lange lussen ontstaan de draden afknippen en instoppen.

LANG

Y A R N S



Quality since 1867

Maattabel

De afmetingen van onze modellen zijn gebaseerd op de maattabel, waarbij de benodigde breedte- en lengtematen voor iedere grootte in centimeters worden vermeld. Hierbij gaat het om lichaamsmaten zonder toevoegingen. De belangrijkste maat van truien en jassen is meestal de bovenwijdte, voor rokken, lange jassen en mantels wordt ook de rekening gehouden met de heupbreedte.

In tegenstelling tot de tabelafmetingen, bevatten de maten van het pasvormschema al de benodigde toevoegingen voor een comfortabele pasvorm van het kledingstuk. Door de modieuze verscheidenheid van ontwerpen, zijn deze toevoegingen voor individuele modellen, zeer verschillend. Zo zal de toevoeging op een topje, of een strak nauwsluitende trui, zeer weinig zijn en zal alleen bij een oversized pasvorm iets groter uitvallen.

Dames (normale lengte, 168 cm)

Maten		XS	S	M	M	L	L	XL	XL	XXL	XXL	3XL	3XL
		34	36	38	40	42	44	46	48	50	52	54	56
Borstomtrek	cm	80	84	88	92	96	100	104	110	116	122	128	134
Tailleomtrek	cm	62	66	70	74	78	82	86	92	98	104	110	116
Heupomtrek	cm	86	90	94	98	102	106	110	116	122	128	134	140
Ruglengte	cm	41	41	41	41	41	41	41	41	41	41	41	41
Schouderbreedte	cm	12	12	12	13	13	13	13	14	14	14	16	16
Armlengte	cm	60	60	60	60	60	60	60	60	60	60	60	60
Bovenarmomtrek	cm	26	27	28	29	30	31	32	34	36	38	40	42

Kinderen

Confectie- en lichaamsmaten

		98	104	110	116	122	128	134	140	146	152	158	164
Borstomtrek	cm	57	58	59	60	62	64	66	68	72	76	80	84
Tailleomtrek	cm	53	54	55	56	57	58	59	61	63	65	67	69
Heupomtrek	cm	59	61	63	65	67	69	72	74	78	82	86	90
Ruglengte	cm	24	25	26	27	29	30	31	32	34	36	38	40
Armlengte	cm	33	36	38	41	43	46	48	51	53	55	57	59
Halsomtrek	cm	27	28	28	29	30	30	31	31	32	33	34	35

Baby

Maten		50	56	62	68	74	80	86	92
Lichaamslengte	cm	50	56	62	68	74	80	86	92
Borstomtrek	cm	42	45	47	49	51	53	55	56
Heupomtrek	cm	44	46	48	50	52	54	56	57.6
Ruglengte	cm	14.1	15.3	16.5	17.7	18.9	20.1	21.3	22.5
Armlengte	cm	15	16	18.5	21	23.5	26	28.5	31
Beenlengte	cm	24	31	34.5	38	41.5	45	49.5	49.5

Herren (normale lengte, 180 cm)

Maten		S	S	M	M	L	L	XL	XL	XXL
		44	46	48	50	52	54	56	58	60
Borstomtrek	cm	88	92	96	100	104	108	112	116	120
Tailleomtrek	cm	78	82	86	90	94	98	104	110	116
Ruglengte	cm	49	49	49	49	49	49	49	49	49
Armlengte	cm	64	64	64	64	64	64	64	64	64
Halsomtrek	cm	37	38	39	40	41	42	43	44	45

LANG

Y A R N S



Quality since 1867

Afkortingen

*	= herhalingsteken
af	= afhalen
afk	= afkanten
afwiss	= afwisselend
av	= averechts
beginn	= beginnen
bijz	= bijzetten
bl	= blauw
br	= breien
cm	= centimeter
gedr	= gedraaid
gr	= gram
gr	= groen
halsk	= halskant
herh	= herhalen
hknd	= haaknaald
hulpnd	= hulpnaald
ital	= italiaans
kr	= kruisen
kst	= kantst
meer	= meerderen / meerdering
mind	= minderen/ mindering
nldn	= naalden
nr	= nummer
ong	= ongeveer
opz	= opzetten
overbl	= overblijvende
pat	= (steken)patroon
r	= rechts / rij
rondbr	= rondbreien
rondbrnldn	= rondbreinaalden
samenbr	= samenbreien
st	= steek / steken
st	= stokje
tr	= toer
ttz	= het is te zeggen
volg	= volgende
weersk	= weerskanten
weersz	= weerszijden
x	= maal / aantal keren

Pictogrammen Textielverzorging



Zeer zacht proces: Fijne was bijvoorbeeld, uit machine wasbare wol. Deze cyclus heeft een bijzonder zachte mechanische behandeling. Verminder hoeveelheid wasgoed sterk. Drum vullen slechts tot een derde.



Niet bleken. De gekruiste driehoek symboliseert dat het bleken niet mogelijk is. Gebruik alleen bleekwater wasmiddel.



Niet in de droger. Artikelen is niet geschikt voor wasdroger.



Niet heet strijken. Strijken met een maximale temperatuur van de zoolplaat van 110 °C . Deze komt overeen met het niveau van «Acryl, polyamide (nylon), acetaat»: glans- of drukgevoelige stoffen op de achterzijde strijken. Niet eraan trekken. Geen stoom gebruiken.



Professionele stomerij met de volgende Oplosmiddelen: Perchloorethyleen en / of koolstofwaterstofatomen. Normaal reinigingsproces zonder beperkingen